

**SINGER**

**6211/6212/6214/6215/6217**

# LIST OF PARTS

## SEWING MACHINE SERIES

# 6210

by

# SINGER\*

© THE SINGER COMPANY  
1989 SINGER DO BRASIL  
ALL RIGHTS RESERVED

\* REGISTERED TRADEMARK

PRINTED IN BRAZIL  
356493-001

MAY-89

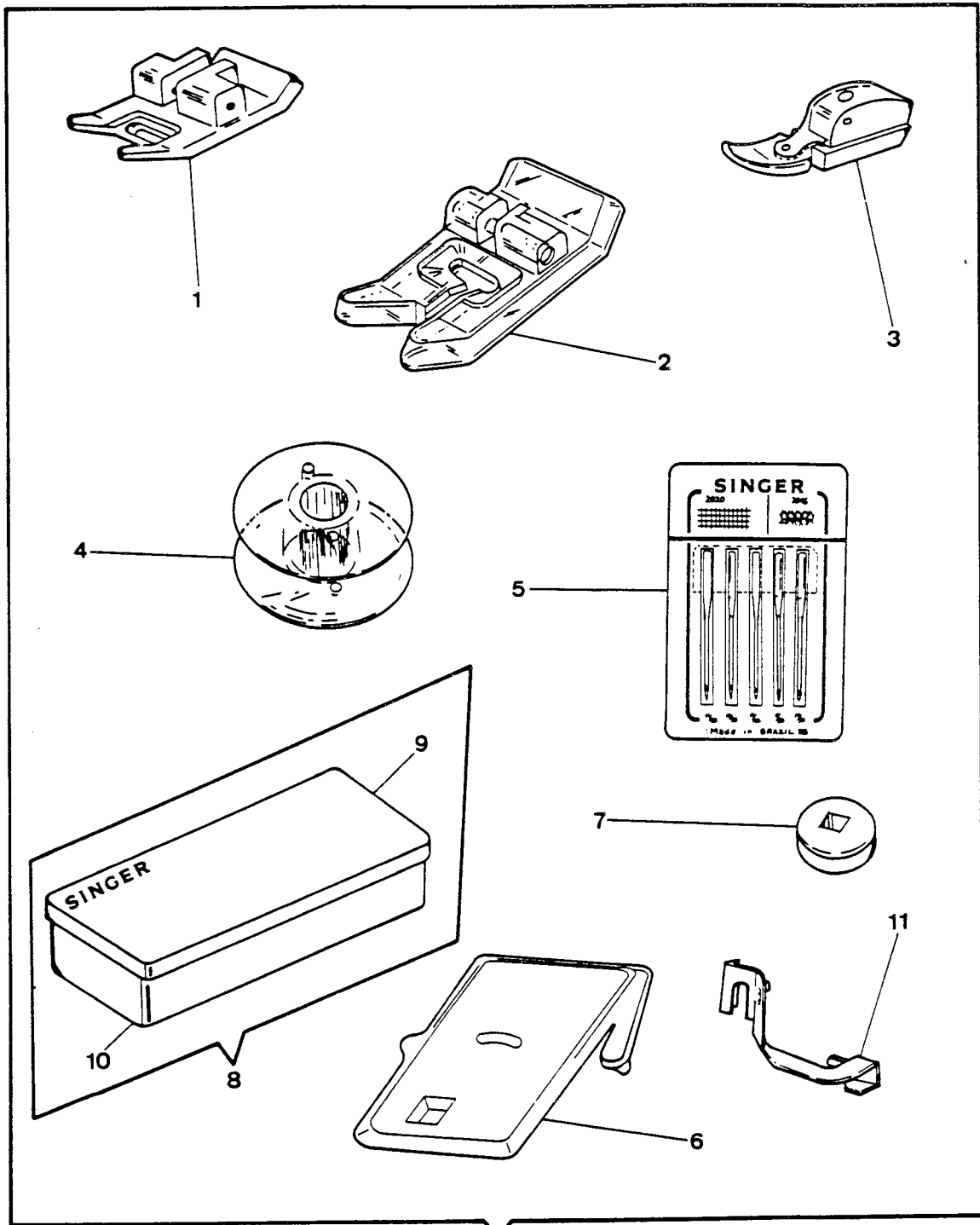
6210 SERIES  
REVISION RECORD

| REV. | DESCRIPTION   | APPROVAL<br>AND DATE  |
|------|---|---|
| 1    | <p style="text-align: center;">ADOPTED BY SERVICE LETTER NBR 009</p> <p>CHANGED REF. NBR 01 FROM P/N 354642-451 TO P/N 355240-451 PAGE 30</p> <p>CHANGED REF. NBR 02 FROM P/N 445840 TO P/N 445841 PAGE 30</p> <p>CHANGED REF. NBR 20 FROM P/N 353539 TO P/N 44628 PAGE 30</p> <p>ADDED REF. NBR 27 P/N 618638-005 PAGE 29/30</p> <p>DELETED REF. NBR 12 P/N 113455-001 (1) PAGE 31</p> <p>CHANGED REF. NBR 13 FROM P/N 356165 TO P/N 356605 PAGE 42</p> <p>CHANGED REF. NBR 13 FROM P/N 446487 TO P/N 446487-001 PAGE 44</p> | <p style="text-align: center;">K</p> <p>3425<br/>08/07/89</p> <p>3425<br/>08/07/89</p> <p>6928<br/>08/24/89</p> <p>3425<br/>08/08/89</p> <p>6994<br/>10/02/89</p> <p>3413<br/>09/06/89</p> <p>3372<br/>07/10/89</p> |
|      |   |   |

INDEX

| PAGE NBR | SUB-ASSEMBLY                       |
|----------|------------------------------------|
| 01 , 02  | ATTACHMENT SET                     |
| 03 , 04  | ARM, BED, THROAT PLATE & BED SLIDE |
| 05 , 14  | COVERS & ADD-ONS                   |
| 15 , 18  | NEEDLE BAR, PRESSER BAR & TAKE-UP  |
| 19 , 20  | ARM SHAFT DRIVE                    |
| 21 , 22  | HAND WHEEL                         |
| 23 , 24  | TENSION ASSEMBLY                   |
| 25 , 26  | HOOK SYSTEM                        |
| 27 , 28  | BIGHT AMPLITUDE                    |
| 29 , 30  | NEEDLE POSITION                    |
| 31 , 32  | DISC SELECTION ASSEMBLY            |
| 33 , 34  | CAM STACK                          |
| 35 , 36  | FEED REGULATOR CAM                 |
| 37 , 40  | BUTTONHOLER & FEED REGULATOR CAM   |
| 41 , 42  | CAM CONTROLLED FEED                |
| 43 , 44  | FEED SYSTEM                        |
| 45 , 46  | OPTIONS                            |
| 47 , 53  | ELECTRICAL EQUIPMENT               |

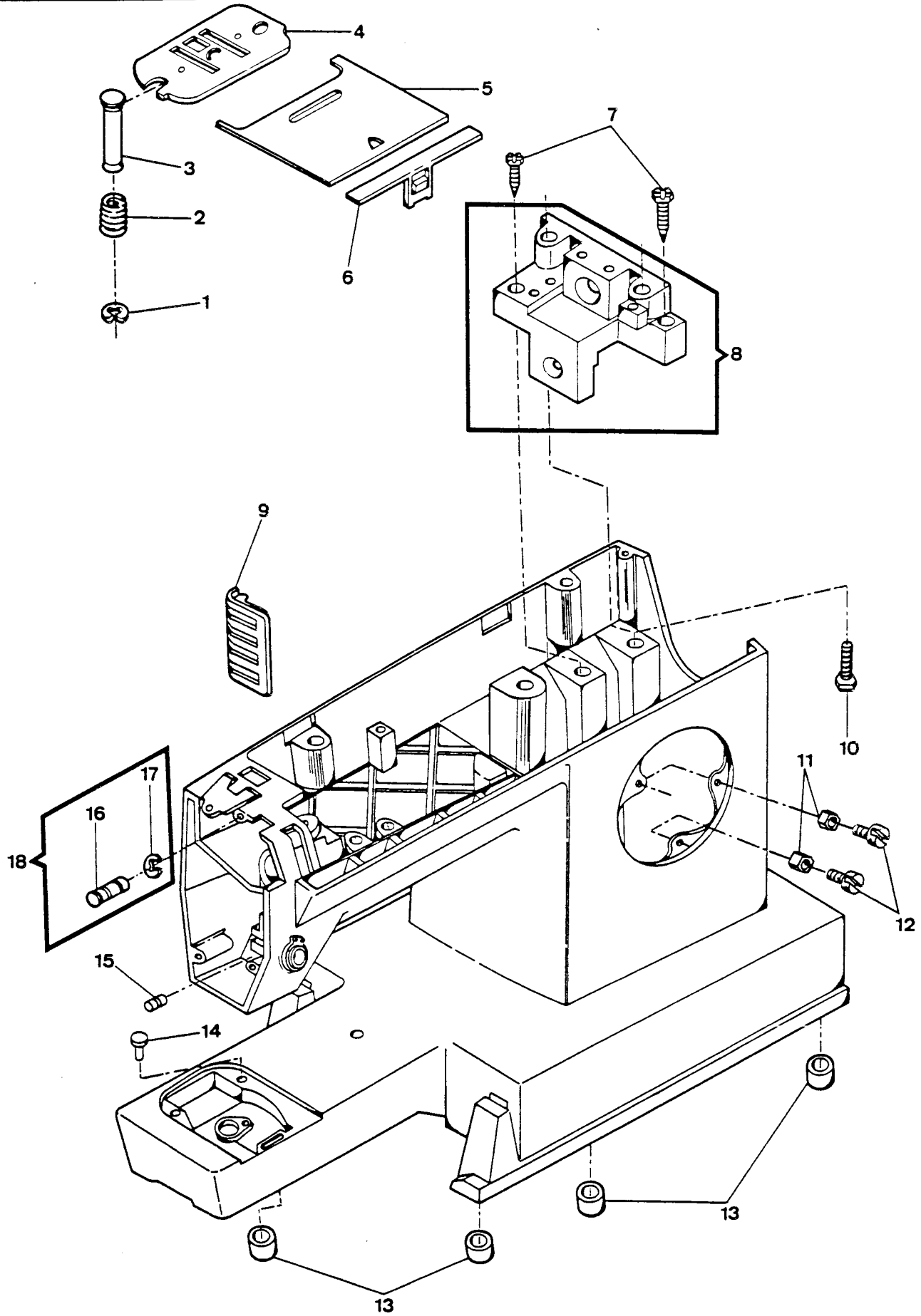
ATTACHMENT SET



PART LIST  
ATTACHMENT SET

| REF. | PART NBR   | DESCRIPTION  | 6 | 6 | 6 | 6 | 6 |
|------|------------|--|---|---|---|---|---|
|      |            |  | 2 | 2 | 2 | 2 | 2 |
|      |            |  | 1 | 1 | 1 | 1 | 1 |
|      |            |  | 1 | 2 | 4 | 5 | 7 |
| 01   | 446492-451 | SPECIAL PURPOSE PRESSER FOOT PLATE (SNAP-ON)                           | X | X | X | X | X |
| 02   | 161927     | PRESSER FOOT PLATE (SNAP-ON) FOR SEWING<br>BUTTONHOLES                 | X | X | X | X | X |
| 03   | 507836     | PRESSER FOOT PLATE (SNAP-ON) COMPLETE FOR<br>CORDING & SLIDE FASTENERS | X | X | X | X | X |
| 04   | 172336     | BOBBIN (PLASTIC)   | X | X | X | X | X |
| 05   | 353364     | NEEDLE PACK (INCLUDES 1 EA. N2020 SIZE 11/14/16<br>& N2045 SIZE 11/14) | X | X | X | X | X |
| 05   | 410152     | NEEDLE PACK (5 NEEDLES) FOR JAPAN                                      | X | X | X | X | X |
| 06   | 313117     | FEED COVER PLATE (PLASTIC)   | X | X | X | X | X |
| 07   | 507664-459 | ARM TOP COVER SPOOL PIN THREAD LEAD-OFF (SMALL<br>PLASTIC)             | X | X | X | X | X |
| 08   | 446150-454 | ATTACHMENT BOX COMPLETE  | X | X | X | X | X |
| 09   | 446149-454 | ATTACHMENT BOX COVER (PLASTIC)   | X | X | X | X | X |
| 10   | 446148-454 | ATTACHMENT BOX BASE (PLASTIC)  | X | X | X | X | X |
| 11   | 381213     | BLIND STITCH GUIDE   | X | X | X | X | X |
| 12   | 446495     | ATTACHMENT SET COMPLETE  | X |   |   |   |   |
| 12   | 356210     | ATTACHMENT SET COMPLETE (AMEDO)  | X |   |   |   |   |
| 12   | 353480     | ATTACHMENT SET COMPLETE (FOR JAPAN)                                    | X |   |   |   |   |
| 12   | 446496     | ATTACHMENT SET COMPLETE  | X | X | X | X | X |
| 12   | 356211     | ATTACHMENT SET COMPLETE (AMEDO)  | X | X | X | X | X |
| 12   | 353481     | ATTACHMENT SET COMPLETE (FOR JAPAN)                                    | X | X | X | X | X |

ARM, BED, THROAT PLATE & BED SLIDE

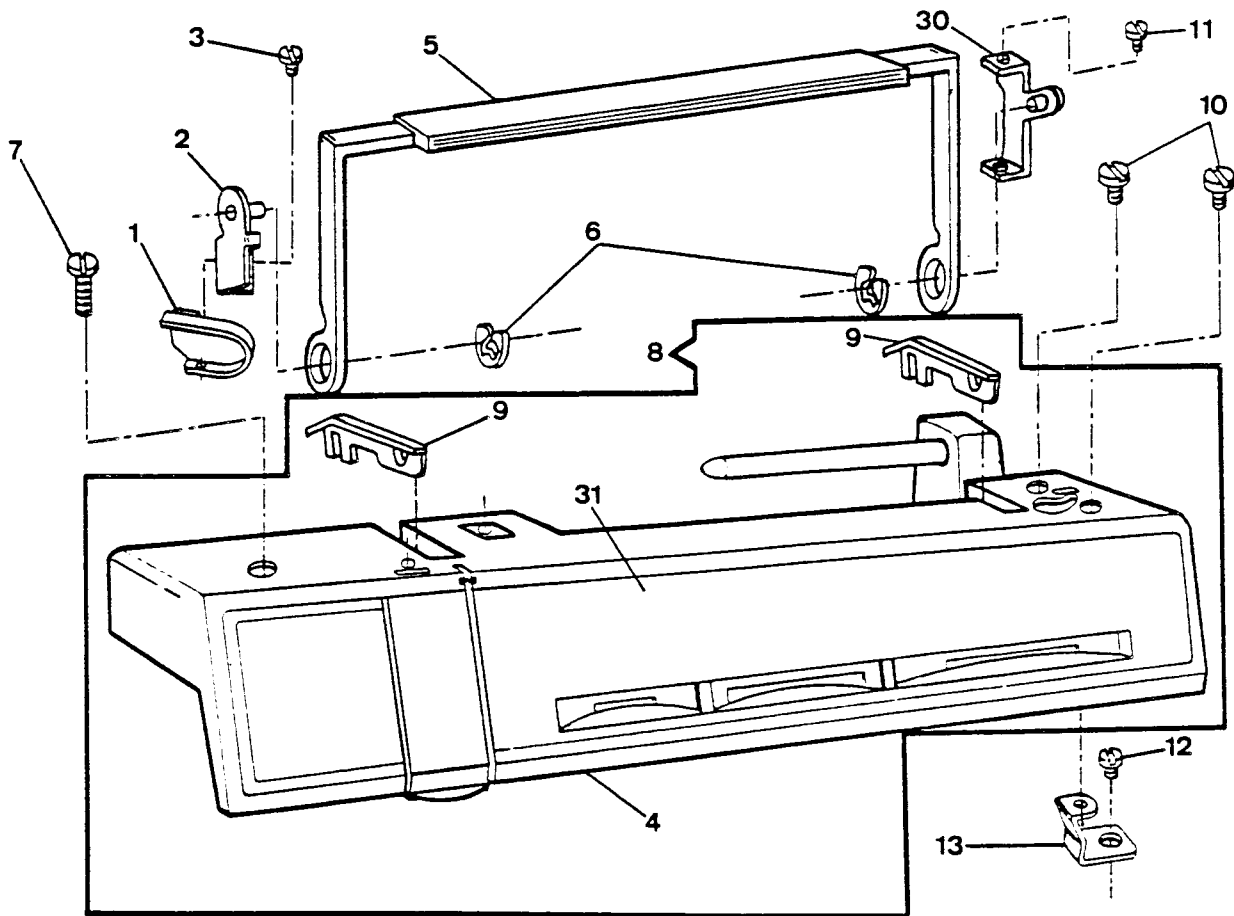


PART LIST  
ARM, BED, THROAT PLATE & BED SLIDE

| REF. | PART NBR   | DESCRIPTION   | 6 | 6 | 6 | 6 | 6 |
|------|------------|---|---|---|---|---|---|
|      |            |   | 2 | 2 | 2 | 2 | 2 |
|      |            |   | 1 | 1 | 1 | 1 | 1 |
|      |            |   | 1 | 2 | 4 | 5 | 7 |
| 01   | 179926     | THROAT PLATE CLAMP SPRING RETAINING RING            | X | X | X | X | X |
| 02   | 353494     | THROAT PLATE CLAMP SPRING                           | X | X | X | X | X |
| 03   | 353597     | THROAT PLATE CLAMP                                  | X | X | X | X | X |
| 04   | 312777     | THROAT PLATE FOR ZIG-ZAG SEWING                     | X | X | X | X | X |
| 05   | 446481     | BED SLIDE   | X | X | X | X | X |
| 06   | 446482     | BED SLIDE SPRING (SNAP-ON)                          | X | X | X | X | X |
| 07   | 113455-006 | ARM SHAFT (REAR) HOUSING MOUNTING SCREW             | X | X | X | X | X |
| 08   | 446347-002 | ARM SHAFT (REAR) HOUSING ASSEMBLY                   | X | X | X | X | X |
| 09   | 353360-451 | ARM INSERT MOTOR VENT GRILL                         | X | X | X | X | X |
| 10   | 446349-451 | ARM SHAFT (REAR) HOUSING MOUNTING BOLT              | X | X | X | X | X |
| 11   | 353588-451 | BUTTONHOLER & FEED REGULATOR NUT                    |   | X | X | X | X |
| 12   | 113513-451 | BUTTONHOLER & FEED REGULATOR SCREW                  |   | X | X | X | X |
| 13   | 353559-451 | BED CUSHION   | X | X | X | X | X |
| 14   | 353624     | THROAT PLATE POSITION PIN                           | X | X | X | X | X |
| 15   | 446358     | TENSION RELEASING LEVER HINGE PIN                   | X | X | X | X | X |
| 16   | 446375     | THREAD TAKE-UP LEVER LINK HINGE STUD                | X | X | X | X | X |
| 17   | 353215     | THREAD TAKE-UP LEVER LINK HINGE STUD RETAINING RING | X | X | X | X | X |
| 18   | 353623     | THREAD TAKE-UP LEVER LINK HINGE STUD WITH RING      | X | X | X | X | X |



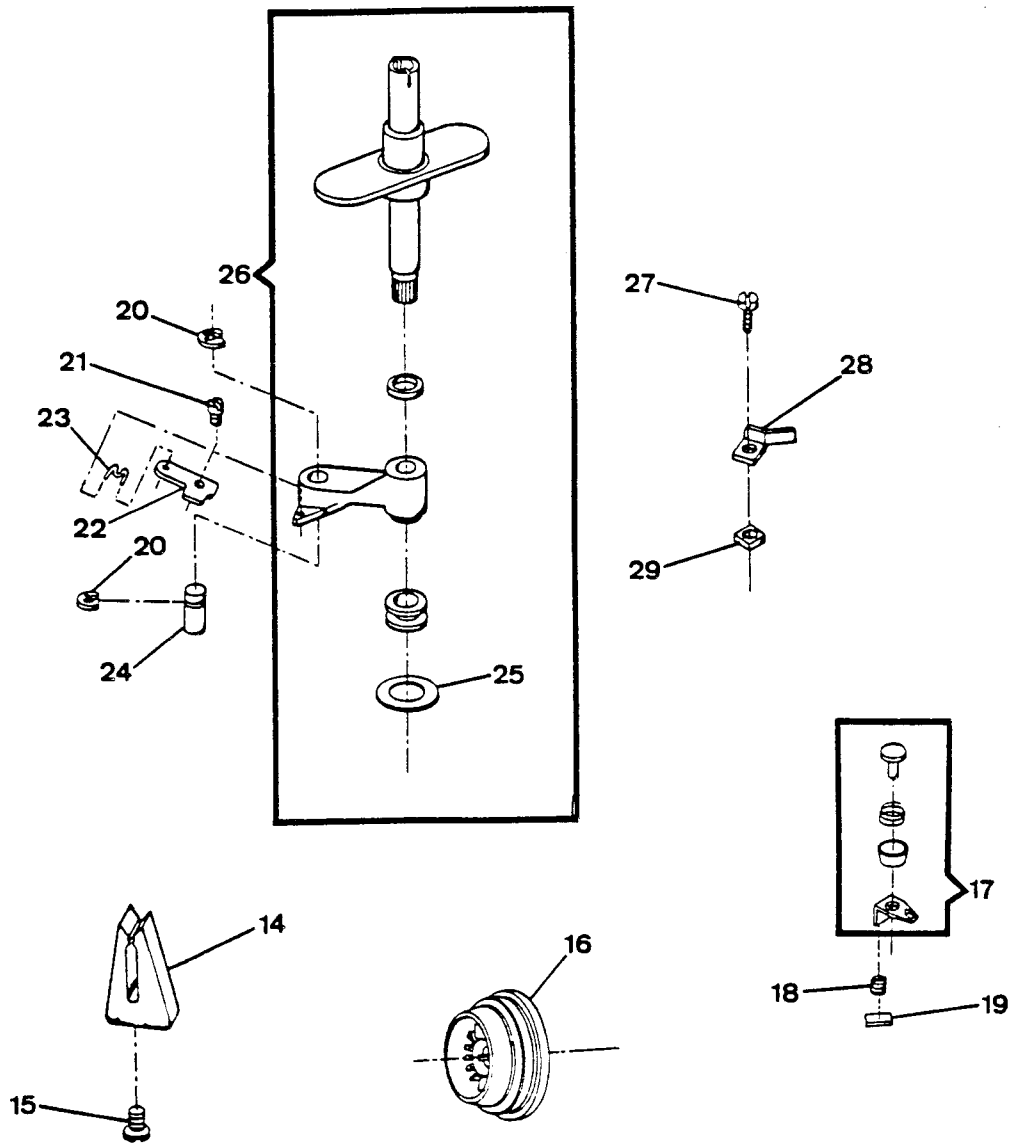
COVERS & ADD-ONS (FOR METAL HANDLE MACHINES)



PART LIST  
COVERS & ADD-ONS (FOR METAL HANDLE MACHINE)

| REF. | PART NBR   | DESCRIPTION   | 6 | 6 | 6 | 6 | 6 |
|------|------------|---|---|---|---|---|---|
|      |            |   | 2 | 2 | 2 | 2 | 2 |
|      |            |   | 1 | 1 | 1 | 1 | 1 |
|      |            |   | 1 | 2 | 4 | 5 | 7 |
| 01   | 446498     | ARM TOP COVER HANDLE RETAINING SPRING                   | X | X | X | X | X |
| 02   | 179886     | ARM TOP COVER HANDLE HINGE PIN BRACKET (LEFT) ASSEMBLY  | X | X | X | X | X |
| 03   | 354826-451 | ARM TOP COVER HANDLE HINGE PIN BRACKET MOUNTING SCREW   | X | X | X | X | X |
| 04   | 179987-001 | ARM TOP COVER ASSEMBLY (WITHOUT LOGO)                   | X |   |   |   |   |
| 04   | 179987-003 | ARM TOP COVER ASSEMBLY (WITH "SAMBA 2" LOGO)            | X |   |   |   |   |
| 04   | 356535-451 | ARM TOP COVER ASSEMBLY (WITHOUT LOGO)                   |   |   |   | X |   |
| 04   | 356535-452 | ARM TOP COVER ASSEMBLY (WITH "SAMBA 5" LOGO)            |   |   |   | X |   |
| 04   | 356546-451 | ARM TOP COVER ASSEMBLY (WITHOUT LOGO)                   |   |   |   |   | X |
| 04   | 356546-452 | ARM TOP COVER ASSEMBLY (WITH "SAMBA 6" LOGO)            |   |   |   |   | X |
| 04   | 356550-451 | ARM TOP COVER ASSEMBLY (FOR JUBILE & SAMBA EXCLUSIVE)   |   |   |   |   | X |
| 04   | 356533-451 | ARM TOP COVER ASSEMBLY (WITHOUT LOGO)                   |   |   |   |   | X |
| 04   | 356533-452 | ARM TOP COVER ASSEMBLY (WITH "SAMBA 7" LOGO)            |   |   |   |   | X |
| 04   | 353372-00X | ARM TOP COVER ASSEMBLY (FOR LADY STAR M/C)              |   |   |   | X |   |
| 04   | 353372-001 | ARM TOP COVER ASSEMBLY (WITHOUT LOGO)                   |   |   |   | X |   |
| 04   | 353372-003 | ARM TOP COVER ASSEMBLY (WITH "SAMBA 4" LOGO)            |   |   |   | X |   |
| 05   | 353592-451 | ARM TOP COVER HANDLE                                    | X | X | X | X | X |
| 06   | 445721     | ARM TOP COVER HANDLE RETAINING RING                     | X | X | X | X | X |
| 07   | 354975-451 | ARM TOP COVER SCREW                                     | X | X | X | X | X |
| 08   | 353292-001 | ARM TOP COVER COMPLETE (WITHOUT LOGO)                   |   |   |   | X |   |
| 08   | 353292-002 | ARM TOP COVER COMPLETE (WITH "SAMBA 5" LOGO)            |   |   |   | X |   |
| 08   | 353293-001 | ARM TOP COVER COMPLETE (WITHOUT LOGO)                   |   |   |   |   | X |
| 08   | 353293-002 | ARM TOP COVER COMPLETE (WITH "SAMBA 6" LOGO)            |   |   |   |   | X |
| 08   | 353294-001 | ARM TOP COVER COMPLETE (WITHOUT LOGO)                   |   |   |   |   | X |
| 08   | 353294-002 | ARM TOP COVER COMPLETE (WITH "SAMBA 7" LOGO)            |   |   |   |   | X |
| 08   | 446444-001 | ARM TOP COVER COMPLETE (WITHOUT LOGO)                   | X |   |   |   |   |
| 08   | 446444-003 | ARM TOP COVER COMPLETE (WITH "SAMBA 2" LOGO)            | X |   |   |   |   |
| 08   | 353370-001 | ARM TOP COVER COMPLETE (WITHOUT LOGO)                   |   |   |   | X |   |
| 08   | 353370-003 | ARM TOP COVER COMPLETE (WITH "SAMBA 4" LOGO)            |   |   |   | X |   |
| 09   | 179883-451 | ARM TOP COVER HANDLE INSERT (PLASTIC)                   | X | X | X | X | X |
| 10   | 354895-453 | ARM TOP COVER MOUNTING SCREW (RIGHT REAR & FRONT)       | X | X | X | X | X |
| 11   | 141808-452 | ARM TOP COVER HINGE PIN BRACKET (RIGHT) RETAINING SCREW | X | X | X | X | X |
| 12   | 113455-001 | ARM TOP COVER MOUNTING BRACKET (RIGHT) MOUNTING SCREW   | X | X | X | X | X |
| 13   | 356178     | ARM TOP COVER MOUNTING BRACKET (RIGHT)                  | X | X | X | X | X |

COVERS & ADD-ONS (FOR METAL HANDLE MACHINES) (CONT.)

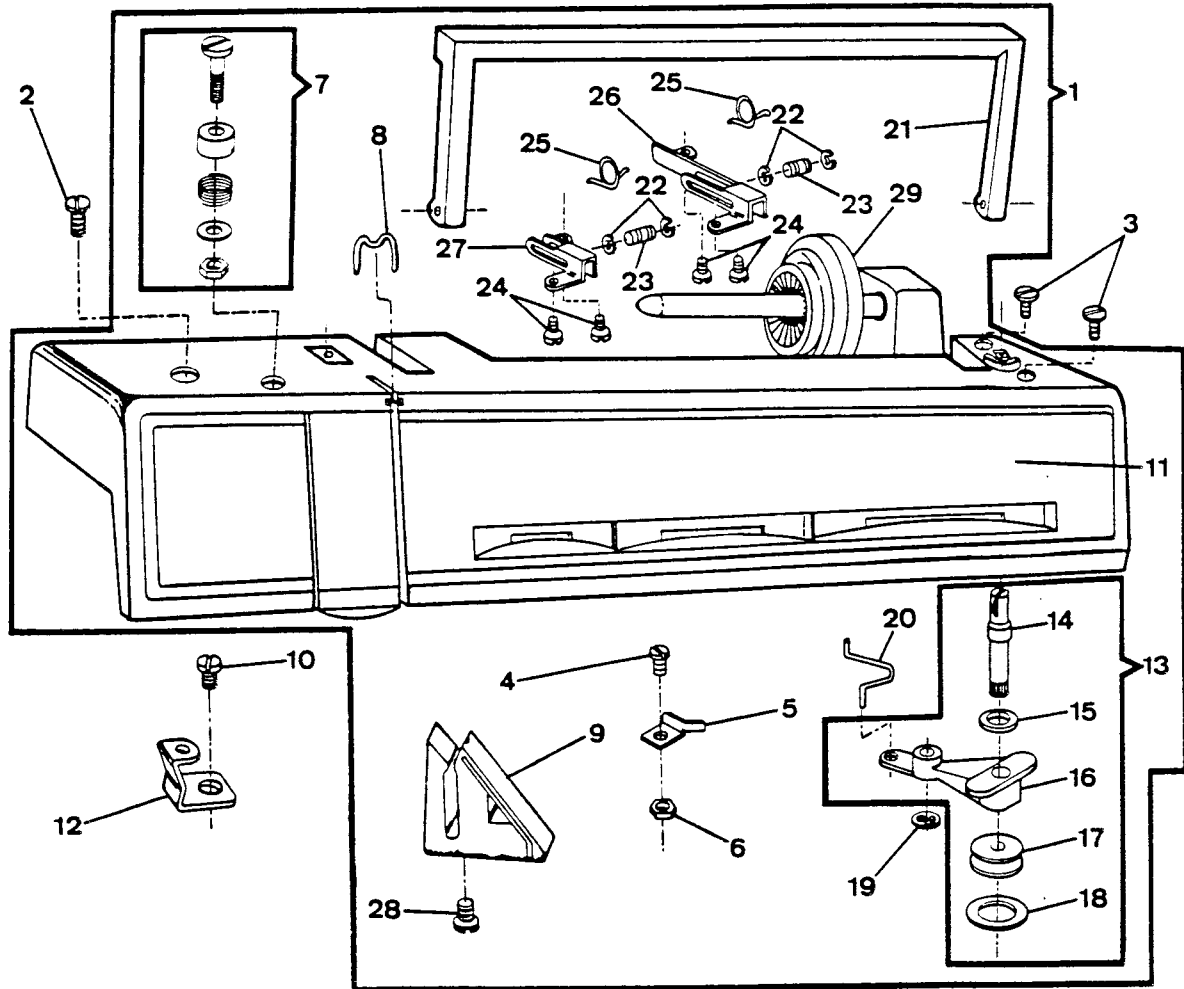


PART LIST  
COVERS & ADD-ONS (FOR METAL HANDLE MACHINES) (CONT.)

|      |          |             | 6 | 6 | 6 | 6 | 6 |
|------|----------|-------------|---|---|---|---|---|
|      |          |             | 2 | 2 | 2 | 2 | 2 |
|      |          |             | 1 | 1 | 1 | 1 | 1 |
| REF. | PART NBR | DESCRIPTION | 1 | 2 | 4 | 5 | 7 |

|    |            |   |   |   |   |   |   |
|----|------------|---|---|---|---|---|---|
| 14 | 353553-451 | ARM TOP COVER THREAD GUIDE                              | X | X | X | X | X |
| 15 | 113342-451 | ARM TOP COVER THREAD GUIDE SCREW                        | X | X | X | X | X |
| 16 | 179967-451 | ARM TOP COVER SPOOL PIN THREAD LEAD-OFF                 | X | X | X | X | X |
| 17 | 44368      | BOBBIN WINDER TENSION COMPLETE                          | X | X | X | X | X |
| 18 | 141936-833 | BOBBIN WINDER TENSION ADJUSTING SCREW                   | X | X | X | X | X |
| 19 | 44794      | BOBBIN WINDER TENSION ADJUSTING SCREW RETAINING CLIP    | X | X | X | X | X |
| 20 | 44374      | BOBBIN WINDER LEVER RETAINING RING                      | X | X | X | X | X |
| 21 | 113458-001 | BOBBIN WINDER SPRING MOUNTING PLATE SCREW               | X | X | X | X | X |
| 22 | 446463     | BOBBIN WINDER SPRING MOUNTING PLATE                     | X | X | X | X | X |
| 23 | 446477     | BOBBIN WINDER SPRING                                    | X | X | X | X | X |
| 24 | 446465     | BOBBIN WINDER LEVER HINGE STUD                          | X | X | X | X | X |
| 25 | 15287-701  | BOBBIN WINDER FRICTION RING                             | X | X | X | X | X |
| 26 | 446469-001 | BOBBIN WINDER ASSEMBLY                                  | X | X | X | X | X |
| 27 | 141920-451 | BOBBIN WINDER STOP SCREW                                | X | X | X | X | X |
| 28 | 445924     | BOBBIN WINDER STOP                                      | X | X | X | X | X |
| 29 | 53640-819  | BOBBIN WINDER STOP SCREW NUT                            | X | X | X | X | X |
| 30 | 353601     | ARM TOP COVER HANDLE HINGE PIN BRACKET ASSEMBLY (RIGHT) | X | X | X | X | X |
| 31 | 446443-451 | CONTROL PANEL (BLACK)                                   | X |   |   |   |   |
| 31 | 356183-900 | CONTROL PANEL (LIGHT GRAY)                              | X |   |   |   |   |
| 31 | 353369-451 | CONTROL PANEL (BLACK)                                   |   | X |   |   |   |
| 31 | 353369-45X | CONTROL PANEL (GRAY)                                    |   | X |   |   |   |
| 31 | 356187-900 | CONTROL PANEL (LIGHT GRAY)                              |   | X |   |   |   |
| 31 | 353289-451 | CONTROL PANEL (BLACK)                                   |   |   | X |   |   |
| 31 | 353290-451 | CONTROL PANEL (BLACK)                                   |   |   |   | X |   |
| 31 | 353291-451 | CONTROL PANEL (BLACK)                                   |   |   |   |   | X |
| 31 | SK-3932    | CONTROL PANEL (GRAY)                                    |   |   |   |   | X |

COVERS & ADD-ONS (FOR PLASTIC HANDLE MACHINES)

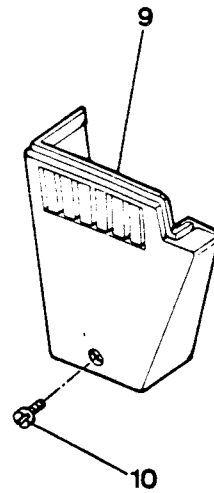
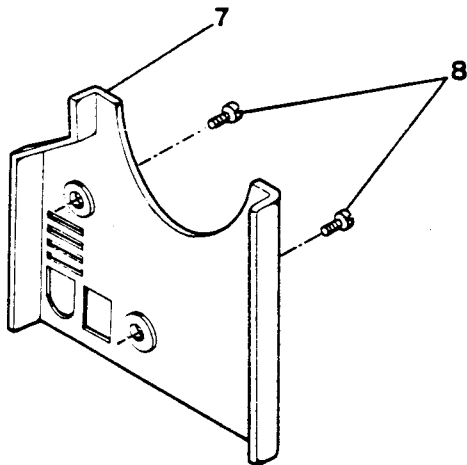
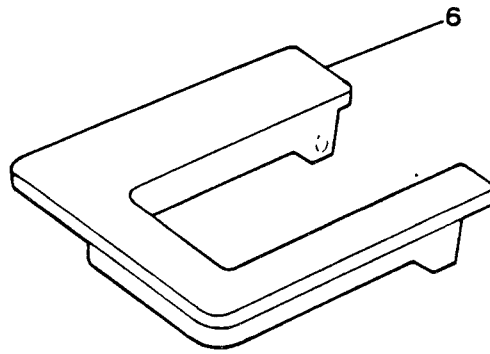
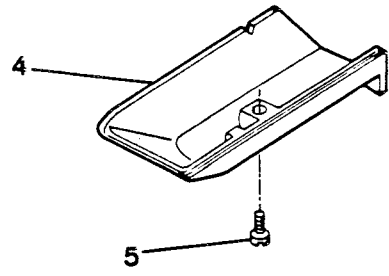
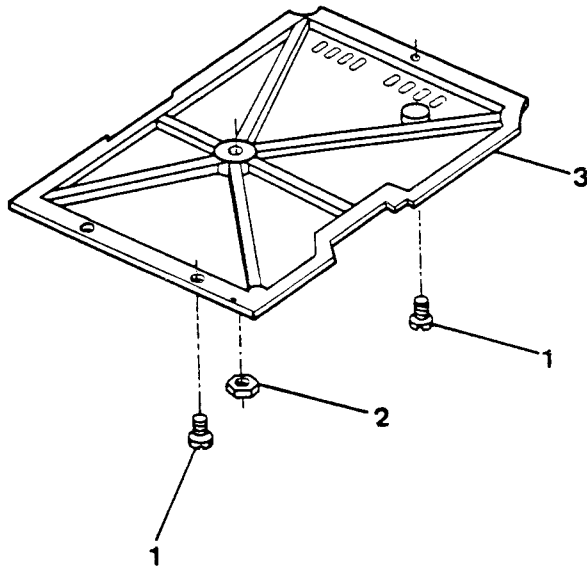


PART LIST  
COVERS & ADD-ONS (FOR PLASTIC HANDLE MACHINES)

|  |   |   |   |   |   |
|--|---|---|---|---|---|
|  | 6 | 6 | 6 | 6 | 6 |
|  | 2 | 2 | 2 | 2 | 2 |
|  | 1 | 1 | 1 | 1 | 1 |
|  | 1 | 2 | 4 | 5 | 7 |

| REF. | PART NBR   | DESCRIPTION                                       | 1 | 2 | 4 | 5 | 7 |
|------|------------|---|---|---|---|---|---|
| 01   | 531960-453 | ARM TOP COVER COMPLETE (W/O LOGO)                 | X |   |   |   |   |
| 01   | 356181-452 | ARM TOP COVER COMPLETE (SPRINT LOGO)              | X |   |   |   |   |
| 01   | 356218-452 | ARM TOP COVER COMPLETE (FOR DX2)                  | X |   |   |   |   |
| 01   | 531962-453 | ARM TOP COVER COMPLETE (W/O LOGO)                 |   | X |   |   |   |
| 01   | 356185-452 | ARM TOP COVER COMPLETE (SPORT LOGO)               |   | X |   |   |   |
| 01   | 356551-451 | ARM TOP COVER COMPLETE (W/O LOGO)                 |   |   | X |   |   |
| 01   | 356555-451 | ARM TOP COVER COMPLETE (W/O LOGO)                 |   |   |   | X |   |
| 01   | 356574-451 | ARM TOP COVER COMPLETE (W/O LOGO)                 |   |   |   |   | X |
| 02   | 354895-453 | ARM TOP COVER SCREW                               | X | X | X | X | X |
| 03   | 354895-453 | ARM TOP COVER MOUNTING SCREW (RIGHT REAR & FRONT) | X | X | X | X | X |
| 04   | 141920-453 | BOBBIN WINDER STOP SCREW                          | X | X | X | X | X |
| 05   | 445924     | BOBBIN WINDER STOP                                | X | X | X | X | X |
| 06   | 53640-819  | BOBBIN WINDER STOP SCREW NUT                      | X | X | X | X | X |
| 07   | 356258     | BOBBIN WINDER TENSION COMPLETE                    | X | X | X | X | X |
| 08   | 445444-900 | CONTROL PANEL THREAD GUIDE                        | X | X | X | X | X |
| 09   | 313563-451 | ARM TOP COVER THREAD GUIDE                        | X | X | X | X | X |
| 10   | 354826-451 | ARM TOP COVER MOUNTING BRACKET SCREW              | X | X | X | X | X |
| 11   | 446443-451 | CONTROL PANEL (BLACK)                             | X |   |   |   |   |
| 11   | 356183-900 | CONTROL PANEL (LIGHT GRAY)                        | X |   |   |   |   |
| 11   | 353369-451 | CONTROL PANEL (BLACK)                             |   | X |   |   |   |
| 11   | 353369-45X | CONTROL PANEL (GRAY)                              |   | X |   |   |   |
| 11   | 356187-900 | CONTROL PANEL (LIGHT GRAY)                        |   | X |   |   |   |
| 11   | 353289-451 | CONTROL PANEL (BLACK)                             |   |   | X |   |   |
| 11   | 353290-451 | CONTROL PANEL (BLACK)                             |   |   |   | X |   |
| 11   | 353291-451 | CONTROL PANEL (BLACK)                             |   |   |   |   | X |
| 11   | SK-3932    | CONTROL PANEL (GRAY)                              |   |   |   |   | X |
| 12   | 531765     | ARM TOP COVER MOUNTING BRACKET (LEFT)             | X | X | X | X | X |
| 13   | 531767-001 | BOBBIN WINDER ASSEMBLY                            | X | X | X | X | X |
| 14   | 531768     | BOBBIN WINDER SPINDLE COMPLETE                    | X | X | X | X | X |
| 15   | 543531     | BOBBIN WINDER SPINDLE WASHER                      | X | X | X | X | X |
| 16   | 531770-451 | BOBBIN WINDER FRAME                               | X | X | X | X | X |
| 17   | 44440-001  | BOBBIN WINDER PULLEY                              | X | X | X | X | X |
| 18   | 15287-701  | BOBBIN WINDER FRICTION RING                       | X | X | X | X | X |
| 19   | 445486     | BOBBIN WINDER RETAINING RING                      | X | X | X | X | X |
| 20   | 531766     | BOBBIN WINDER HINGE STUD SPRING                   | X | X | X | X | X |
| 21   | 531760-451 | ARM TOP COVER HANDLE                              | X | X | X | X | X |
| 22   | 445721     | ARM TOP COVER HANDLE RETAINING RING               | X | X | X | X | X |
| 23   | 531761     | ARM TOP COVER HANDLE HINGE PIN                    | X | X | X | X | X |
| 24   | 113455-003 | ARM TOP COVER HANDLE MOUNTING BRACKET SCREW       | X | X | X | X | X |
| 25   | 531762     | ARM TOP COVER HANDLE MOUNTING BRACKET SPRING      | X | X | X | X | X |
| 26   | 531763     | ARM TOP COVER HANDLE MOUNTING BRACKET             | X | X | X | X | X |
| 27   | 531764     | ARM TOP COVER HANDLE MOUNTING BRACKET             | X | X | X | X | X |
| 28   | 354810-451 | ARM TOP COVER THREAD GUIDE SCREW                  | X | X | X | X | X |
| 29   | 179967-451 | ARM TOP COVER SPOOL PIN THREAD LEAD-OFF           | X | X | X | X | X |

COVERS & ADD-ONS (CONT.)



PART LIST  
COVERS & ADD-ONS (CONT.)

| REF. | PART NBR   | DESCRIPTION  | 6 | 6 | 6 | 6 | 6 |
|------|------------|--|---|---|---|---|---|
|      |            |  | 2 | 2 | 2 | 2 | 2 |
|      |            |  | 1 | 1 | 1 | 1 | 1 |
|      |            |  | 1 | 2 | 4 | 5 | 7 |
| 01   | 113455-001 | BED (BOTTOM) COVER FASTENING SCREW   | X | X | X | X | X |
| 02   | 514608     | BED (BOTTOM) COVER FASTENING SCREW NUT                                       | X | X | X | X | X |
| 03   | 353587-451 | BED (BOTTOM) COVER (PLASTIC)   | X | X | X | X | X |
| 04   | 446493-451 | BED (TUBULAR) BOTTOM COVER (PLASTIC)   | X | X | X | X | X |
| 05   | 354895-453 | BED (TUBULAR) BOTTOM COVER FASTENING SCREW                                   | X | X | X | X | X |
| 06   | 446455-451 | BED EXTENSION  | X | X | X | X | X |
| 07   |            | REFER TO CHARTS ON FOLLOWING PAGES   |   |   |   |   |   |
| 08   | 354637-453 | ARM END COVER SCREW  | X | X | X | X | X |
| 09   | 353433-451 | FACE PLATE ASSEMBLY (FOR U.K., AUSTRALIA,<br>US SCHOOL & CONTINENTAL EUROPE) | X | X | X | X | X |
| 09   | 446452-451 | FACE PLATE COMPLETE  | X | X | X | X | X |
| 10   | 354133-453 | FACE PLATE SCREW   | X | X | X | X | X |



ARM END COVER

| PART NBR   | U.S. | EUR. | CAN. | UK | USA  |        | NON-REG |      |   |      |
|------------|------|------|------|----|------|--------|---------|------|---|------|
|            |      |      |      |    | CAN. | AUSTR. | EUROPE  | 120V |   |      |
| -----      |      |      |      |    |      |        |         |      |   |      |
| 446450-001 | X    |      |      |    |      |        |         |      |   | 6211 |
| 446450-002 |      | X    |      |    |      |        |         |      |   | 6211 |
| 446450-003 |      |      | X    |    |      |        |         |      |   | 6211 |
| 446450-004 |      |      |      | X  |      |        |         |      |   | 6211 |
| 446450-005 |      |      |      |    | X    |        |         |      |   | 6211 |
| 446450-006 |      |      |      |    |      | X      |         |      |   | 6211 |
| 446450-007 |      |      |      |    |      |        | X       |      |   | 6211 |
| 446450-008 |      |      |      |    |      |        |         |      | X | 6211 |
| 446450-009 | X    |      |      |    |      |        |         |      |   | 6212 |
| 446450-010 |      | X    |      |    |      |        |         |      |   | 6212 |
| 446450-011 |      |      | X    |    |      |        |         |      |   | 6212 |
| 446450-012 |      |      |      | X  |      |        |         |      |   | 6212 |
| 446450-013 |      |      |      |    | X    |        |         |      |   | 6212 |
| 446450-014 |      |      |      |    |      | X      |         |      |   | 6212 |
| 446450-015 |      |      |      |    |      |        | X       |      |   | 6212 |
| 446450-016 |      |      |      |    |      |        |         |      | X | 6212 |
| 446450-017 | X    |      |      |    |      |        |         |      |   | 6214 |
| 446450-018 |      | X    |      |    |      |        |         |      |   | 6214 |
| 446450-019 |      |      | X    |    |      |        |         |      |   | 6214 |
| 446450-020 |      |      |      | X  |      |        |         |      |   | 6214 |
| 446450-021 |      |      |      |    | X    |        |         |      |   | 6214 |
| 446450-022 |      |      |      |    |      | X      |         |      |   | 6214 |
| 446450-023 |      |      |      |    |      |        | X       |      |   | 6214 |
| 446450-024 |      |      |      |    |      |        |         |      | X | 6214 |
| 446450-025 | X    |      |      |    |      |        |         |      |   | 6215 |
| 446450-026 |      | X    |      |    |      |        |         |      |   | 6215 |
| 446450-027 |      |      | X    |    |      |        |         |      |   | 6215 |
| 446450-028 |      |      |      | X  |      |        |         |      |   | 6215 |
| 446450-029 |      |      |      |    | X    |        |         |      |   | 6215 |
| 446450-030 |      |      |      |    |      | X      |         |      |   | 6215 |
| 446450-031 |      |      |      |    |      |        | X       |      |   | 6215 |
| 446450-032 |      |      |      |    |      |        |         |      | X | 6215 |
| 446450-033 | X    |      |      |    |      |        |         |      |   | 6217 |
| 446450-034 |      | X    |      |    |      |        |         |      |   | 6217 |
| 446450-035 |      |      | X    |    |      |        |         |      |   | 6217 |
| 446450-036 |      |      |      | X  |      |        |         |      |   | 6217 |
| 446450-037 |      |      |      |    | X    |        |         |      |   | 6217 |
| 446450-038 |      |      |      |    |      | X      |         |      |   | 6217 |
| 446450-039 |      |      |      |    |      |        | X       |      |   | 6217 |
| 446450-040 |      |      |      |    |      |        |         |      | X | 6217 |
| 446450-089 |      |      |      |    | X    |        |         |      |   | DX2C |

ARM END COVER

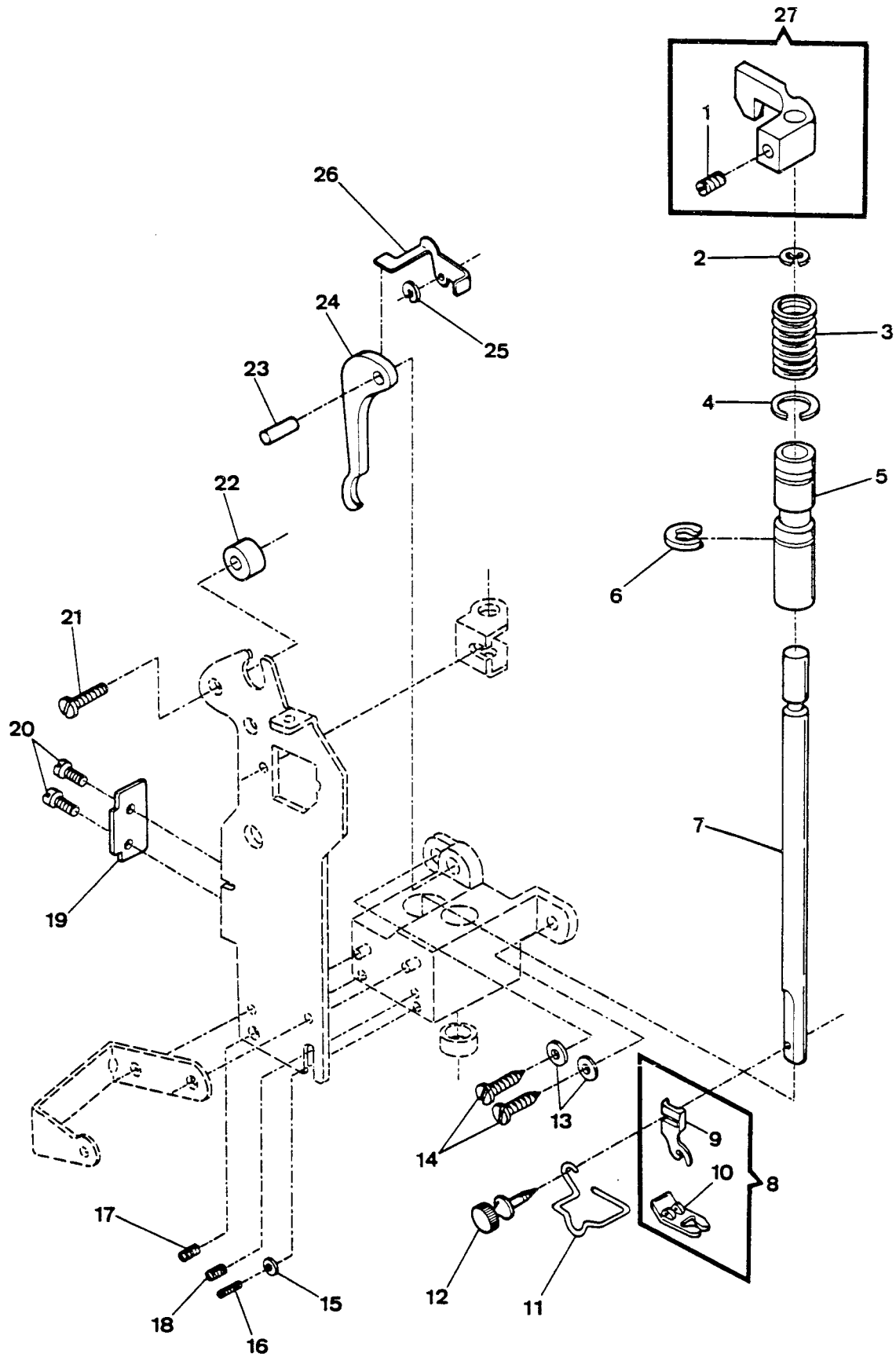
| PART NBR   | INT.          | INT.          | INT.          | INT.          | MIDDLE MIDDLE         |              |      |
|------------|---------------|---------------|---------------|---------------|-----------------------|--------------|------|
|            | GROUP<br>110V | GROUP<br>220V | GROUP<br>110V | GROUP<br>220V | JAPAN<br>EAST<br>110V | EAST<br>220V |      |
| 446450-041 | X             |               |               |               |                       |              | 6217 |
| 446450-042 |               | X             |               |               |                       |              | 6217 |
| 446450-043 |               |               | X             |               |                       |              | 6217 |
| 446450-044 |               |               |               | X             |                       |              | 6217 |
| 446450-045 | X             |               |               |               |                       |              | 6211 |
| 446450-046 |               | X             |               |               |                       |              | 6211 |
| 446450-047 |               |               | X             |               |                       |              | 6211 |
| 446450-048 |               |               |               | X             |                       |              | 6211 |
| 446450-049 | X             |               |               |               |                       |              | 6212 |
| 446450-050 |               | X             |               |               |                       |              | 6212 |
| 446450-051 |               |               | X             |               |                       |              | 6212 |
| 446450-052 |               |               |               | X             |                       |              | 6212 |
| 446450-053 | X             |               |               |               |                       |              | 6214 |
| 446450-054 |               | X             |               |               |                       |              | 6214 |
| 446450-055 |               |               | X             |               |                       |              | 6214 |
| 446450-056 |               |               |               | X             |                       |              | 6214 |
| 446450-057 | X             |               |               |               |                       |              | 6215 |
| 446450-058 |               | X             |               |               |                       |              | 6215 |
| 446450-059 |               |               | X             |               |                       |              | 6215 |
| 446450-060 |               |               |               | X             |                       |              | 6215 |
| 446450-061 |               |               |               |               | X                     |              | 6211 |
| 446450-062 |               |               |               |               | X                     |              | 6212 |
| 446450-063 |               |               |               |               | X                     |              | 6214 |
| 446450-064 |               |               |               |               | X                     |              | 6215 |
| 446450-065 |               |               |               |               | X                     |              | 6217 |
| 446450-066 |               |               |               |               |                       | X            | 6211 |
| 446450-067 |               |               |               |               |                       | X            | 6211 |
| 446450-068 |               |               |               |               | X                     |              | 6212 |
| 446450-069 |               |               |               |               |                       | X            | 6212 |
| 446450-070 |               |               |               |               | X                     |              | 6214 |
| 446450-071 |               |               |               |               |                       | X            | 6214 |
| 446450-072 |               |               |               |               | X                     |              | 6215 |
| 446450-073 |               |               |               |               |                       | X            | 6215 |
| 446450-074 |               |               |               |               | X                     |              | 6217 |
| 446450-075 |               |               |               |               |                       | X            | 6217 |



PART LIST  
NEEDLE BAR, PRESSER BAR & TAKE-UP

| REF. | PART NBR   | DESCRIPTION   | 6 | 6 | 6 | 6 | 6 |
|------|------------|---|---|---|---|---|---|
|      |            |   | 2 | 2 | 2 | 2 | 2 |
|      |            |   | 1 | 1 | 1 | 1 | 1 |
|      |            |   | 1 | 2 | 4 | 5 | 7 |
| 01   | 445672     | THREAD TAKE-UP LEVER COMPLETE                                       | X | X | X | X |   |
| 02   | 446260     | THREAD TAKE-UP STUD   | X | X | X | X | X |
| 03   | 446357     | NEEDLE BAR CONNECTING LINK  | X | X | X | X | X |
| 04   | 446190     | NEEDLE BAR DRIVING ARM HINGE BRACKET                                | X | X | X | X | X |
| 05   | 37935      | NEEDLE BAR DRIVING ARM HINGE BRACKET HINGE PIN                      | X | X | X | X | X |
| 06   | 353522     | NEEDLE BAR BALL BUSHING (UPPER) RETAINING RING                      | X | X | X | X | X |
| 07   | 507379     | NEEDLE BAR BALL BUSHING (UPPER) SOCKET (LOWER)                      | X | X | X | X | X |
| 08   | 446355-001 | NEEDLE BAR BALL BUSHING (UPPER)                                     | X | X | X | X | X |
| 09   | 353521     | NEEDLE BAR VIBRATING BRACKET  | X | X | X | X | X |
| 10   | 353520     | NEEDLE BAR VIBRATING BRACKET COMPLETE                               | X | X | X | X | X |
| 11   | 141844-819 | NEEDLE BAR DRIVING ARM HINGE BRACKET SCREW                          | X | X | X | X | X |
| 12   | 446359     | NEEDLE BAR VIBRATING BRACKET HINGE PIN                              | X | X | X | X | X |
| 13   | 445721     | NEEDLE BAR VIBRATING BRACKET HINGE PIN<br>RETAINING RING            | X | X | X | X | X |
| 14   | 353402-451 | NEEDLE BAR VIBRATING BRACKET HINGE PIN NUT                          | X | X | X | X | X |
| 15   | 353549-940 | NEEDLE BAR CONNECTING STUD WITH HINGE PIN                           | X | X | X | X | X |
| 16   | 353549     | NEEDLE BAR CONNECTING STUD  | X | X | X | X | X |
| 17   | 37931      | NEEDLE BAR CONNECTING STUD HINGE PIN                                | X | X | X | X | X |
| 18   | 141916-833 | NEEDLE BAR CLAMPING SCREW   | X | X | X | X | X |
| 19   | 445793     | NEEDLE BAR  | X | X | X | X | X |
| 20   | 37943      | NEEDLE BAR GIB  | X | X | X | X | X |
| 21   | 446355-001 | NEEDLE BAR BALL BUSHING (LOWER)                                     | X | X | X | X | X |
| 22   | 507379     | NEEDLE BAR BALL BUSHING (LOWER) SOCKET                              | X | X | X | X | X |
| 23   | 446361     | NEEDLE BAR BALL BUSHING (LOWER) ADJUSTING COLLAR                    | X | X | X | X | X |
| 24   | 113413-451 | NEEDLE THUMB SCREW  | X | X | X | X | X |
| 25   | 353630     | NEEDLE CLAMP BODY (FOR JAPAN ONLY)                                  | X | X | X | X | X |
| 26   | 204514-100 | NEEDLE 2045 SIZE NBR 14   | X | X | X | X | X |
| 27   | 353629     | NEEDLE CLAMP THREAD GUIDE (FOR JAPAN ONLY)                          | X | X | X | X | X |
| 28   | 141808-451 | NEEDLE CLAMP BODY, NEEDLE CLAMP THREAD GUIDE<br>& NEEDLE STOP SCREW | X | X | X | X | X |
| 29   | 44450      | NEEDLE BAR BALL BUSHING (LOWER) SOCKET (UPPER)                      | X | X | X | X | X |
| 30   | 356599     | NEEDLE BAR, PRESSER BAR & VIBRATING BRACKET<br>HOUSING ASSEMBLY     | X | X | X | X | X |
| 31   | 445486     | THREAD TAKE-UP STUD RETAINING RING                                  | X | X | X | X | X |
| 32   | 543531     | THREAD TAKE-UP STUD THRUST WASHER                                   | X | X | X | X | X |
| 33   | 353424     | NEEDLE BAR BALL BUSHING (UPPER) WAVED WASHER                        | X | X | X | X | X |

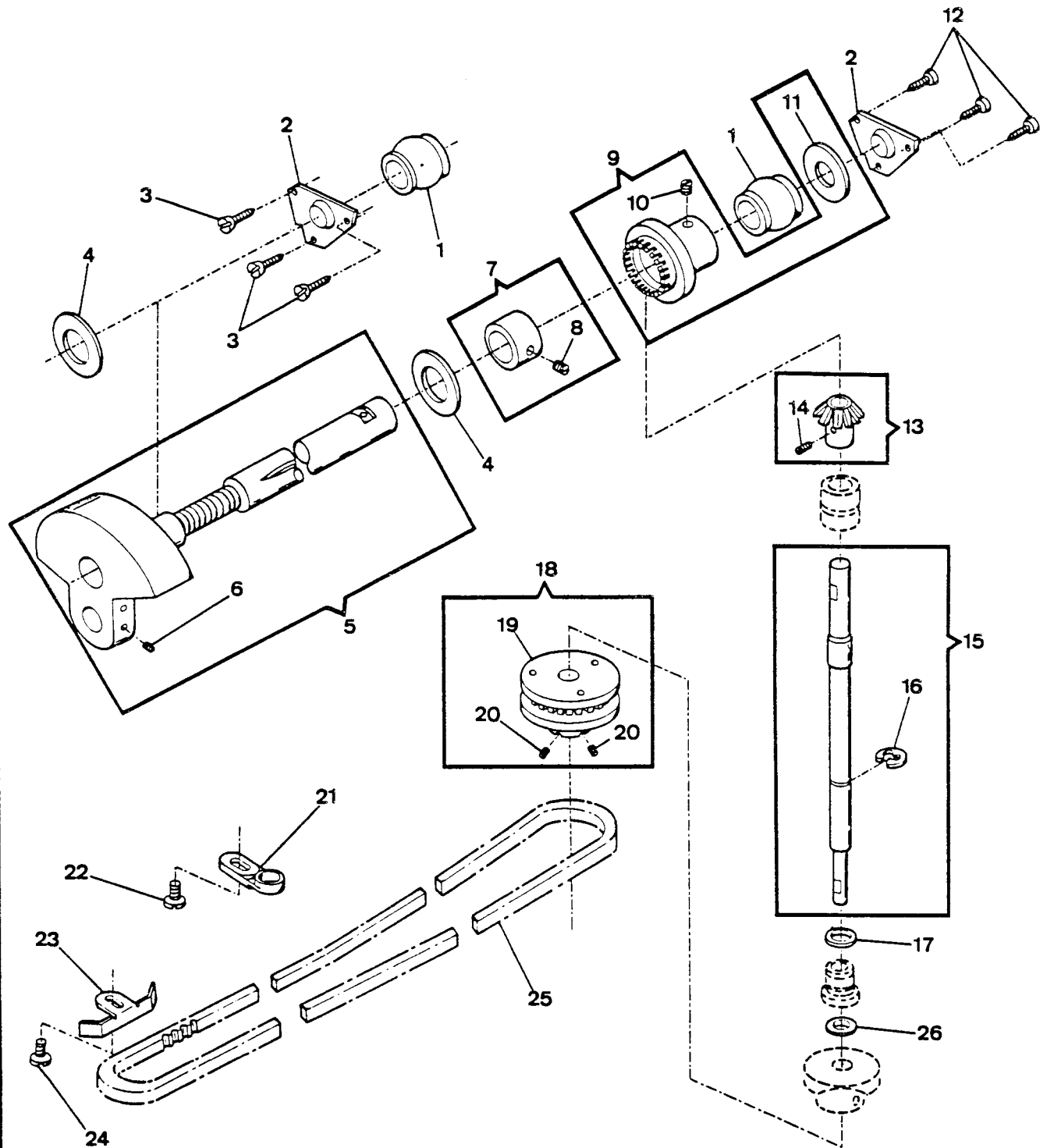
NEEDLE BAR, PRESSER BAR & TAKE-UP (CONT.)



PART LIST  
NEEDLE BAR, PRESSER BAR & TAKE-UP (CONT.)

| REF. | PART NBR   | DESCRIPTION   | 6 | 6 | 6 | 6 | 6 |
|------|------------|---|---|---|---|---|---|
|      |            |   | 2 | 2 | 2 | 2 | 2 |
|      |            |   | 1 | 1 | 1 | 1 | 1 |
|      |            |   | 1 | 2 | 4 | 5 | 7 |
| 01   | 141925-833 | PRESSER BAR GUIDE BRACKET SET SCREW   | X | X | X | X | X |
| 02   | 353215     | PRESSER BAR SPRING RETAINING RING (UPPER)   | X | X | X | X | X |
| 03   | 353214     | PRESSER BAR SPRING  | X | X | X | X | X |
| 04   | 353252     | PRESSER BAR SPRING RETAINING RING   | X | X | X | X | X |
| 05   | 445947-001 | PRESSER BAR BUSHING   | X | X | X | X | X |
| 06   | 353252     | PRESSER BAR BUSHING LOCATING RING   | X | X | X | X | X |
| 07   | 314638     | PRESSER BAR   | X | X | X | X | X |
| 08   | 446372     | PRESSER FOOT (SNAP-ON) COMPLETE FOR ZIG-ZAG SEWING                                | X | X | X | X | X |
| 09   | 155964     | PRESSER FOOT SHANK (SNAP-ON)  | X | X | X | X | X |
| 10   | 446371     | PRESSER FOOT PLATE (SNAP-ON) FOR ZIG-ZAG SEWING                                   | X | X | X | X | X |
| 11   | 116863     | FINGER GUARD (EUROPE)   | X | X | X | X | X |
| 12   | 354135-452 | PRESSER FOOT THUMB SCREW  | X | X | X | X | X |
| 13   | 353375-451 | NEEDLE BAR, PRESSER BAR & VIBRATING BRACKET HOUSING MOUNTING SCREW (LOWER) WASHER | X | X | X | X | X |
| 14   | 113434-451 | NEEDLE BAR, PRESSER BAR & VIBRATING BRACKET HOUSING MOUNTING SCREW (LOWER)        | X | X | X | X | X |
| 15   | 54591-451  | NEEDLE BAR OVER THROW SET SCREW NUT   | X | X | X | X | X |
| 16   | 354993-451 | NEEDLE BAR OVER THROW SET SCREW   | X | X | X | X | X |
| 17   | 141938-833 | NEEDLE BAR BALL BUSHING (LOWER) ADJUSTING COLLAR SET SCREW                        | X | X | X | X | X |
| 18   | 354906-451 | PRESSER BAR BUSHING SET SCREW   | X | X | X | X | X |
| 19   | 446353     | PRESSER BAR GUIDE BRACKET POSITIONER  | X | X | X | X | X |
| 20   | 141913-451 | PRESSER BAR GUIDE BRACKET POSITIONER SCREW  | X | X | X | X | X |
| 21   | 113455-005 | NEEDLE BAR & PRESSER BAR VIBRATING BRACKET HOUSING MOUNTING SCREW (UPPER)         | X | X | X | X | X |
| 22   | 531627     | NEEDLE BAR, PRESSER BAR & VIBRATING BRACKET HOUSING MOUNTING BUSHING              | X | X | X | X | X |
| 23   | 446354-451 | PRESSER BAR LIFTER HINGE PIN  | X | X | X | X | X |
| 24   | 446356     | PRESSER BAR LIFTER  | X | X | X | X | X |
| 25   | 445486     | TENSION RELEASING LEVER RETAINING RING  | X | X | X | X | X |
| 26   | 445925     | TENSION RELEASING LEVER   | X | X | X | X | X |
| 27   | 353212     | PRESSER BAR GUIDE BRACKET ASSEMBLY  | X | X | X | X | X |

ARM SHAFT DRIVE

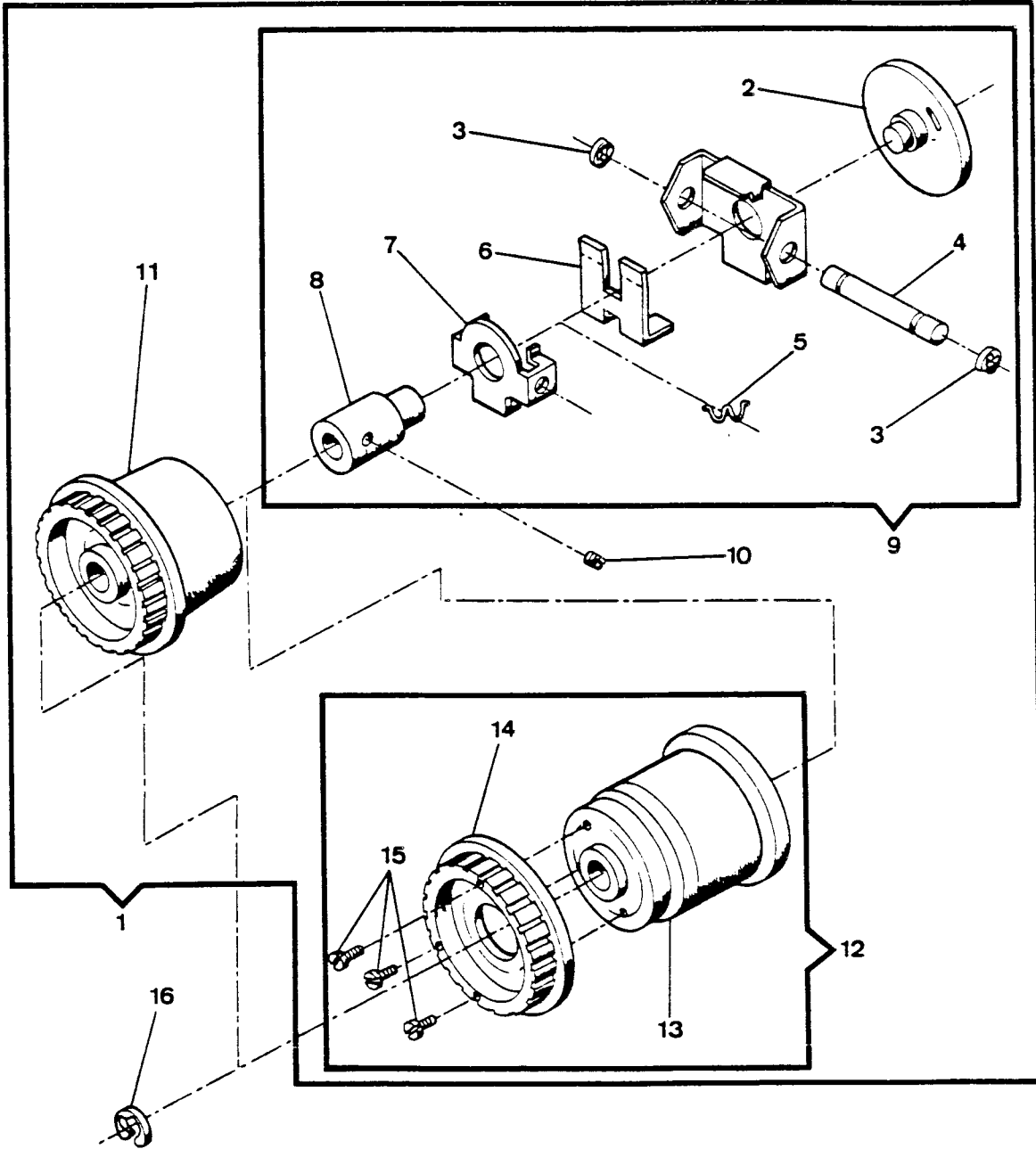


PART LIST  
ARM SHAFT DRIVE

| REF. | PART NBR   | DESCRIPTION  | 6 | 6 | 6 | 6 | 6 |
|------|------------|--|---|---|---|---|---|
|      |            |  | 2 | 2 | 2 | 2 | 2 |
|      |            |  | 1 | 1 | 1 | 1 | 1 |
|      |            |  | 1 | 2 | 4 | 5 | 7 |
| 01   | 446384     | ARM SHAFT BUSHING (FRONT)  | X | X | X | X | X |
| 02   | 446385     | ARM SHAFT BUSHING (FRONT) RETAINING BRACKET                                    | X | X | X | X | X |
| 03   | 113455-001 | ARM SHAFT BUSHING (FRONT) RETAINING BRACKET<br>SCREW                           | X | X | X | X | X |
| 04   | 319764     | ARM SHAFT (HORIZONTAL) RETAINING COLLAR WASHER                                 | X | X | X | X | X |
| 05   | 531684     | ARM SHAFT COMPLETE   | X | X | X | X | X |
| 06   | 354105-833 | NEEDLE BAR CRANK POSITION SET SCREW  | X | X | X | X | X |
| 07   | 353580     | ARM SHAFT (HORIZONTAL) RETAINING COLLAR  | X | X | X | X | X |
| 08   | 113500-451 | ARM SHAFT (HORIZONTAL) RETAINING COLLAR SET<br>SCREW                           | X | X | X | X | X |
| 09   | 353272     | ARM SHAFT (HORIZONTAL) BEVEL GEAR & FEED<br>LIFTING (ECCENTRIC) COMPLETE       | X | X | X | X | X |
| 10   | 354813-451 | ARM SHAFT (HORIZONTAL) BEVEL GEAR & FEED<br>LIFTING ECCENTRIC SET SCREW        | X | X | X | X | X |
| 11   | 353413     | ARM SHAFT (HORIZONTAL) BEVEL GEAR & FEED<br>LIFTING ECCENTRIC WASHER (PLASTIC) | X | X | X | X | X |
| 12   | 113455-001 | ARM SHAFT BUSHING (REAR) RETAINING BRACKET<br>SCREW                            | X | X | X | X | X |
| 13   | 353273     | ARM SHAFT (UPRIGHT) BEVEL GEAR (PLASTIC)                                       | X | X | X | X | X |
| 14   | 354105-833 | ARM SHAFT (UPRIGHT) BEVEL GEAR SET SCREW                                       | X | X | X | X | X |
| 15   | 179952     | ARM SHAFT (UPRIGHT) ASSEMBLY   | X | X | X | X | X |
| 16   | 353215     | ARM SHAFT (UPRIGHT) RETAINING RING   | X | X | X | X | X |
| 17   | 353394     | ARM SHAFT (UPRIGHT) RETAINING RING WASHER                                      | X | X | X | X | X |
| 18   | 353438-001 | ARM SHAFT (UPRIGHT) BELT DRIVE PULLEY<br>ASSEMBLY COMPLETE                     | X | X | X | X | X |
| 19   | 446230     | ARM SHAFT (UPRIGHT) BELT DRIVE PULLEY  | X | X | X | X | X |
| 20   | 354906-451 | ARM SHAFT (UPRIGHT) BELT DRIVE PULLEY<br>RETAINING COLLAR SET SCREW            | X | X | X | X | X |
| 21   | 531630     | ROTATING HOOK DRIVE BELT TENSION ADJUSTER                                      | X | X | X | X | X |
| 22   | 113453-003 | ROTATING HOOK DRIVE BELT TENSIONER SCREW                                       | X | X | X | X | X |
| 23   | 446376     | BELT RETAINER (LEFT)   | X | X | X | X | X |
| 24   | 113455-001 | BELT RETAINER (LEFT) SCREW   | X | X | X | X | X |
| 25   | 446237     | BELT (ROTATING HOOK DRIVE)   | X | X | X | X | X |
| 26   | 319826     | ARM SHAFT (UPRIGHT) BELT DRIVE PULLEY WASHER                                   | X | X | X | X | X |

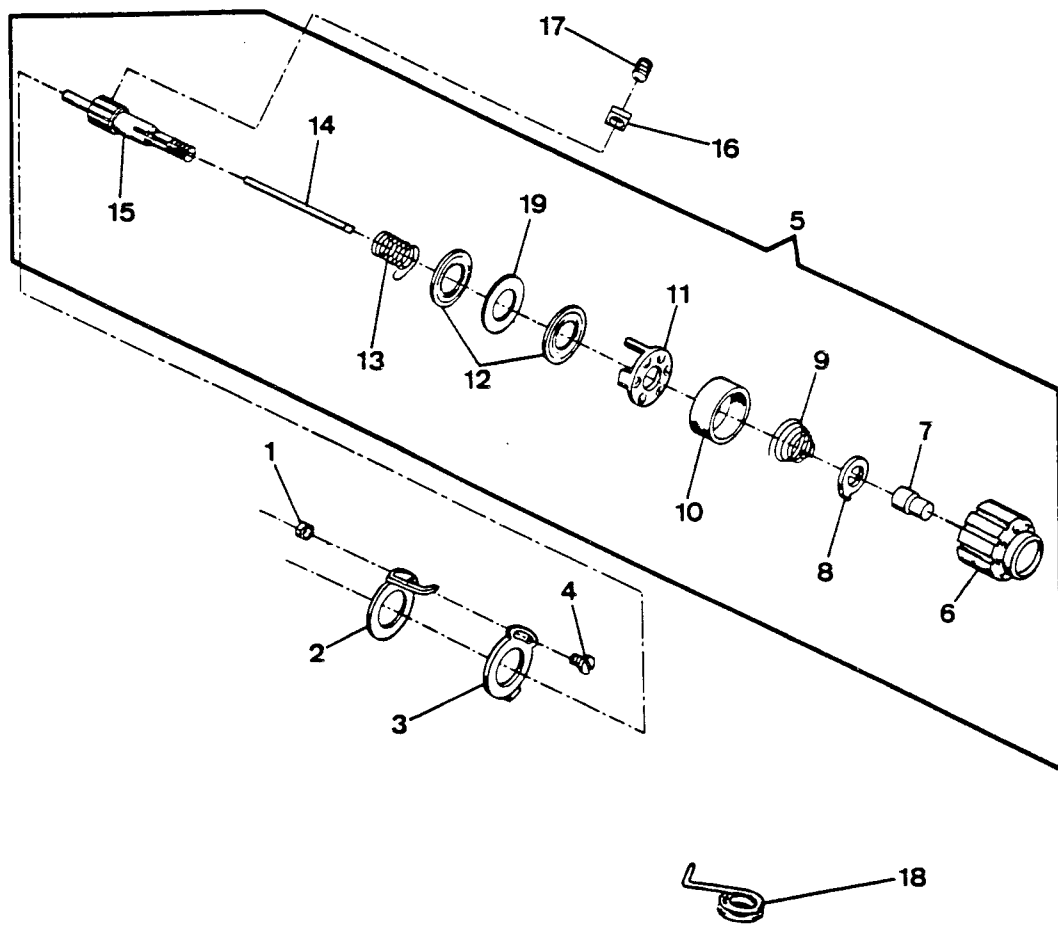


HAND WHEEL



| PART LIST  |            |  | 6 | 6 | 6 | 6 | 6 |
|------------|------------|--|---|---|---|---|---|
| HAND WHEEL |            |  | 2 | 2 | 2 | 2 | 2 |
|            |            |  | 1 | 1 | 1 | 1 | 1 |
| REF.       | PART NBR   | DESCRIPTION  | 1 | 2 | 4 | 5 | 7 |
| 01         | 446391-451 | HAND WHEEL (ELECTRIC) COMPLETE   | X | X | X | X | X |
| 01         | 446460-451 | HAND WHEEL (TREADLE/ELECTRIC) COMPLETE                                   | X | X | X | X | X |
| 02         | 446297     | HAND WHEEL DISENGAGING CLUTCH ENGAGING PLATE<br>COVER                    | X | X | X | X | X |
| 03         | 445721     | HAND WHEEL DISENGAGING CLUTCH ENGAGING PLATE<br>HINGE PIN RETAINING RING | X | X | X | X | X |
| 04         | 319560     | HAND WHEEL DISENGAGING CLUTCH ENGAGING PLATE<br>HINGE PIN                | X | X | X | X | X |
| 05         | 531628     | HAND WHEEL DISENGAGING CLUTCH ACTUATING SPRING                           | X | X | X | X | X |
| 06         | 319567     | HAND WHEEL DISENGAGING CLUTCH BUSHING PLATE<br>RETAINER                  | X | X | X | X | X |
| 07         | 319566     | HAND WHEEL DISENGAGING CLUTCH BUSHING PLATE                              | X | X | X | X | X |
| 08         | 446390     | HAND WHEEL DISENGAGING CLUTCH BUSHING                                    | X | X | X | X | X |
| 09         | 446343     | HAND WHEEL DISENGAGING CLUTCH BUSHING COMPLETE                           | X | X | X | X | X |
| 10         | 354813-451 | HAND WHEEL DISENGAGING CLUTCH BUSHING SCREW                              | X | X | X | X | X |
| 11         | 446386-451 | HAND WHEEL (PLASTIC) (ELECTRIC)  | X | X | X | X | X |
| 12         | 179894-451 | HAND WHEEL (TREADLE/ELECTRIC) ASSEMBLY                                   | X | X | X | X | X |
| 13         | 179896-451 | HAND WHEEL (TREADLE/ELECTRIC) DISENGAGING<br>CLUTCH ASSEMBLY             | X | X | X | X | X |
| 14         | 179895     | HAND WHEEL (TREADLE/ELECTRIC) SPROCKET<br>(PLASTIC)                      | X | X | X | X | X |
| 15         | 354656-451 | HAND WHEEL (TREADLE/ELECTRIC) SPROCKET SCREW                             | X | X | X | X | X |
| 16         | 446387     | HAND WHEEL RETAINING RING (TREADLE/ELECTRIC)                             | X | X | X | X | X |

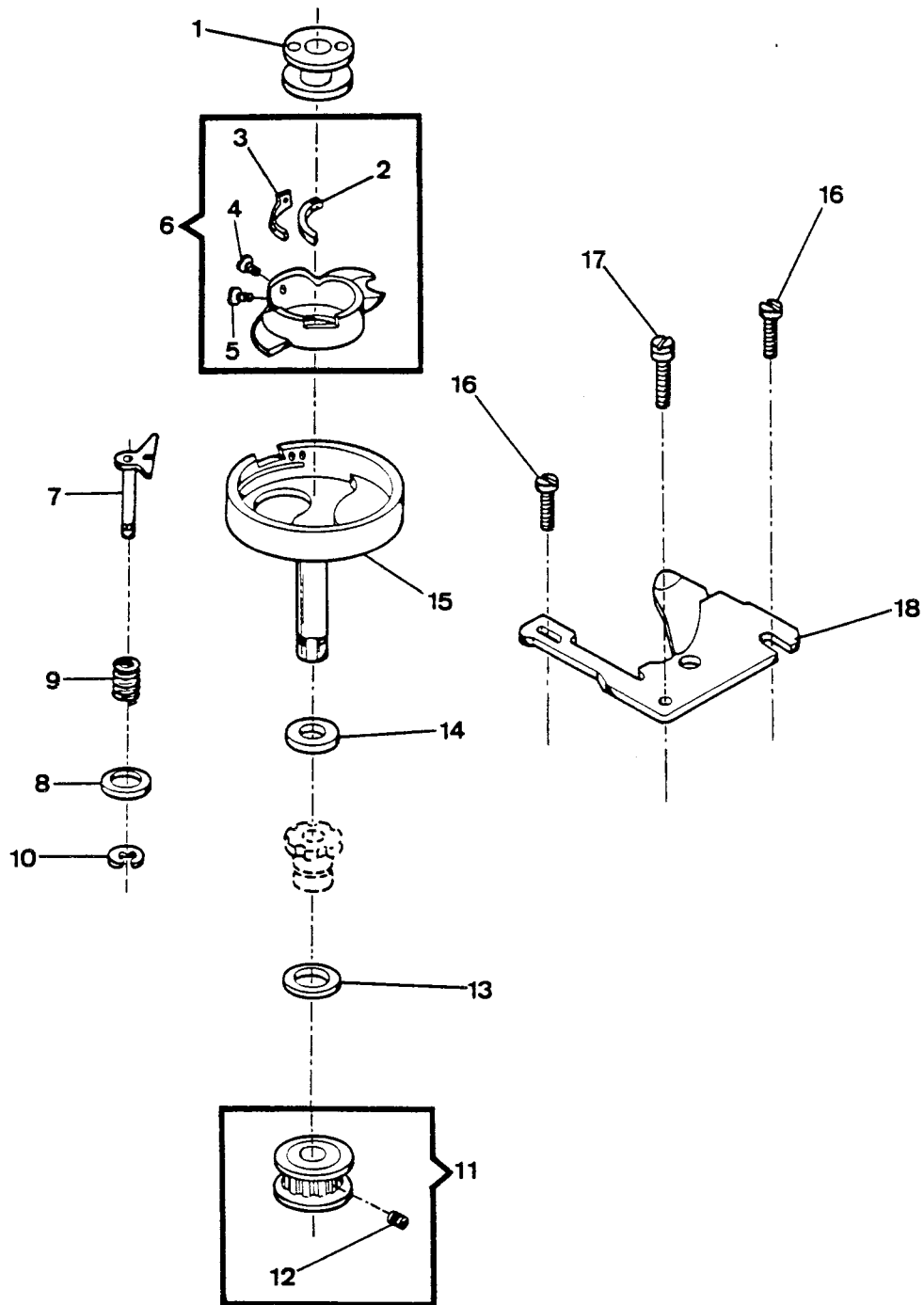
TENSION ASSEMBLY



PART LIST  
TENSION ASSEMBLY

| REF. | PART NBR   | DESCRIPTION  | 6 | 6 | 6 | 6 | 6 |
|------|------------|--|---|---|---|---|---|
|      |            |  | 2 | 2 | 2 | 2 | 2 |
|      |            |  | 1 | 1 | 1 | 1 | 1 |
|      |            |  | 1 | 2 | 4 | 5 | 7 |
| 01   | 514698-451 | SLACK THREAD REGULATOR & TENSION THREAD GUIDE<br>SCREW NUT | X | X | X | X | X |
| 02   | 446440     | THREAD GUIDE (UPPER)                                       | X | X | X | X | X |
| 03   | 179936-451 | SLACK THREAD REGULATOR & TENSION THREAD GUIDE              | X | X | X | X | X |
| 04   | 141808-451 | SLACK THREAD REGULATOR & TENSION THREAD GUIDE<br>SCREW     | X | X | X | X | X |
| 05   | 353583-451 | TENSION MOUNTING BRACKET COMPLETE                          | X | X | X | X | X |
| 06   | 445054-030 | TENSION INDICATOR DIAL                                     | X | X | X | X | X |
| 07   | 446126     | TENSION INDICATOR ADAPTER                                  | X | X | X | X | X |
| 08   | 37984      | TENSION MOUNTING BRACKET                                   | X | X | X | X | X |
| 09   | 125314     | TENSION SPRING   | X | X | X | X | X |
| 10   | 44879-478  | TENSION SPRING CAP   | X | X | X | X | X |
| 11   | 45343      | THREAD TAKE-UP SPRING THREAD GUARD                         | X | X | X | X | X |
| 12   | 2102-001   | TENSION DISC (SMALL)                                       | X | X | X | X | X |
| 13   | 66774-002  | THREAD TAKE-UP SPRING                                      | X | X | X | X | X |
| 14   | 353578     | TENSION RELEASING PIN                                      | X | X | X | X | X |
| 15   | 44454      | TENSION STUD   | X | X | X | X | X |
| 16   | 353367-451 | TENSION STUD SET SCREW NUT                                 | X | X | X | X | X |
| 17   | 141938-833 | TENSION STUD SET SCREW                                     | X | X | X | X | X |
| 18   | 445784     | TENSION GUIDE (LOWER)                                      | X | X | X | X | X |
| 19   | 44633      | TENSION DISC (MIDDLE)                                      | X | X | X | X | X |

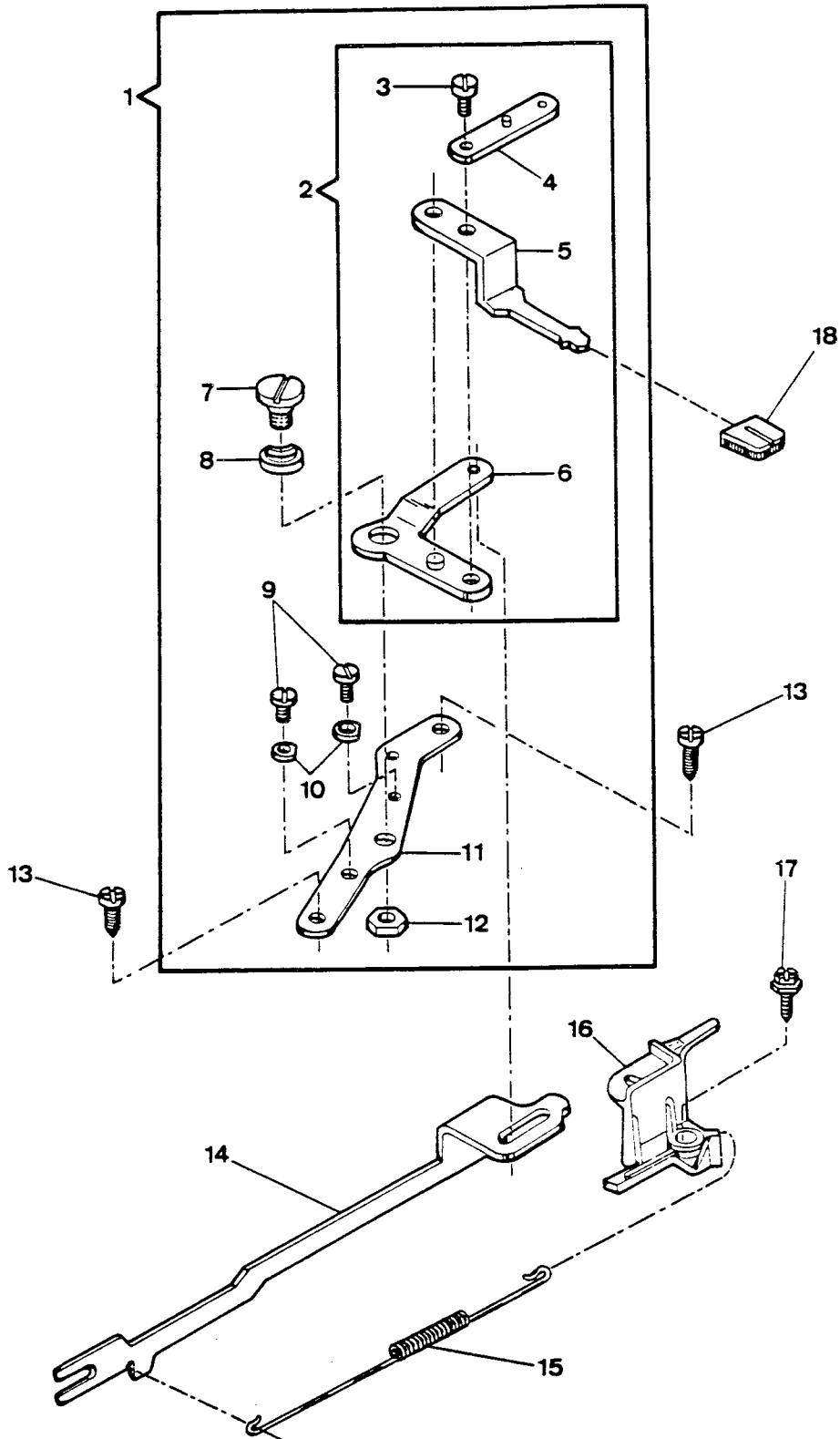
HOOK SYSTEM



PART LIST  
HOOK SYSTEM

| REF. | PART NBR   | DESCRIPTION  | 1 | 2 | 4 | 5 | 7 |
|------|------------|--|---|---|---|---|---|
| 01   | 172336     | ROTATING HOOK BOBBIN (PLASTIC)   | X | X | X | X | X |
| 02   | 310884-451 | ROTATING HOOK BOBBIN CASE TENSION SPRING<br>SEGMENT                              | X | X | X | X | X |
| 03   | 314715     | ROTATING HOOK BOBBIN CASE TENSION SPRING   | X | X | X | X | X |
| 04   | 354183-452 | ROTATING HOOK BOBBIN CASE TENSION REGULATING<br>SCREW                            | X | X | X | X | X |
| 05   | 139975-452 | ROTATING HOOK BOBBIN CASE TENSION SPRING<br>SEGMENT SCREW                        | X | X | X | X | X |
| 06   | 421325     | ROTATING HOOK BOBBIN CASE  | X | X | X | X | X |
| 07   | 353511     | ROTATING HOOK BOBBIN CASE RETAINING PLATE<br>ASSEMBLY                            | X | X | X | X | X |
| 08   | 445808     | ROTATING HOOK BOBBIN CASE RETAINING PLATE<br>STUD WASHER                         | X | X | X | X | X |
| 09   | 44892      | ROTATING HOOK BOBBIN CASE RETAINING PLATE<br>STUD SPRING                         | X | X | X | X | X |
| 10   | 353509     | ROTATING HOOK BOBBIN CASE RETAINING PLATE<br>RETAINING RING                      | X | X | X | X | X |
| 11   | 446235     | ROTATING HOOK BELT DRIVE PULLEY  | X | X | X | X | X |
| 12   | 141803-830 | ROTATING HOOK BELT DRIVE PULLEY SCREW  | X | X | X | X | X |
| 13   | 382861-906 | ROTATING HOOK BELT DRIVE PULLEY WASHER   | X | X | X | X | X |
| 14   | 353453     | ROTATING HOOK WEAR WASHER  | X | X | X | X | X |
| 15   | 353366     | ROTATING HOOK COMPLETE   | X | X | X | X | X |
| 15   | SK-4366    | ROTATING HOOK COMPLETE (FOR JAPAN)   | X | X | X | X | X |
| 16   | 113430-451 | ROTATING HOOK BOBBIN CASE POSITION PLATE SCREW                                   | X | X | X | X | X |
| 17   | 113430-451 | ROTATING HOOK BOBBIN CASE RETAINING PLATE<br>(ADJUSTABLE & POSITION PLATE) SCREW | X | X | X | X | X |
| 18   | 44873-001  | ROTATING HOOK BOBBIN CASE POSITION PLATE   | X | X | X | X | X |

BIGHT AMPLITUDE

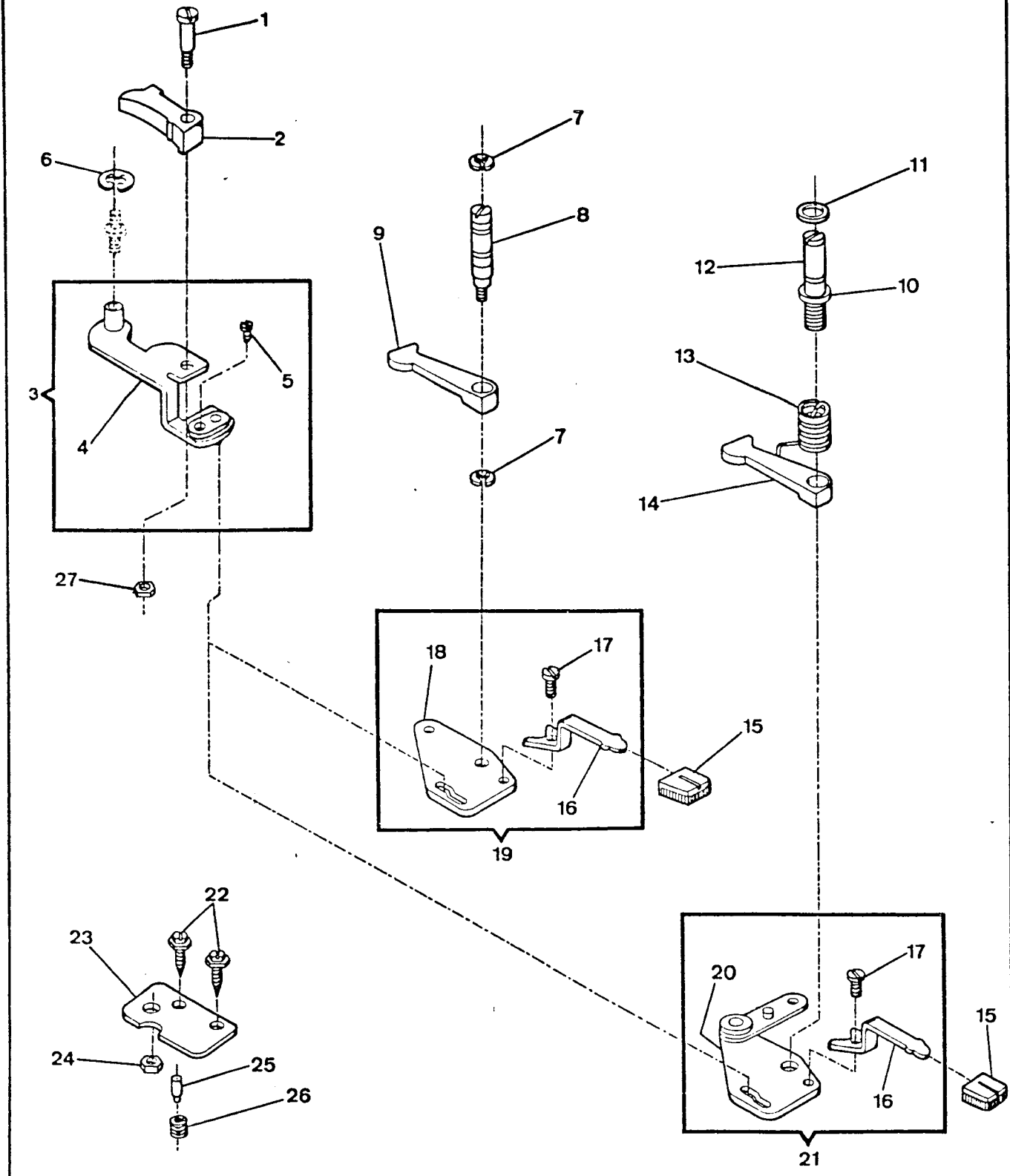


PART LIST  
BIGHT AMPLITUDE

| REF. | PART NBR   | DESCRIPTION  | 6 | 6 | 6 | 6 | 6 |
|------|------------|--|---|---|---|---|---|
|      |            |  | 2 | 2 | 2 | 2 | 2 |
|      |            |  | 1 | 1 | 1 | 1 | 1 |
|      |            |  | 1 | 2 | 4 | 5 | 7 |
| 01   | 446396     | BIGHT AMPLITUDE CONTROL LEVER MOUNTING BRACKET COMPLETE                        | X |   |   |   |   |
| 01   | 179893     | BIGHT AMPLITUDE CONTROL LEVER MOUNTING BRACKET COMPLETE                        |   | X | X | X | X |
| 02   | 446395     | BIGHT AMPLITUDE CONTROL LEVER SUB-ASSEMBLY                                     | X |   |   |   |   |
| 02   | 446342     | BIGHT AMPLITUDE CONTROL LEVER SUB-ASSEMBLY                                     |   | X | X | X | X |
| 03   | 141913-451 | BIGHT AMPLITUDE CONTROL LEVER SCREW  | X |   |   |   |   |
| 03   | 139866-451 | BIGHT AMPLITUDE CONTROL LEVER SCREW  |   | X | X | X | X |
| 04   | 44556      | BUTTONHOLER BIGHT CONTROL CAM FOLLOWER LEVER LINK (LEFT)                       |   | X | X | X | X |
| 05   | 446394     | BIGHT AMPLITUDE CONTROL LEVER  | X | X | X | X | X |
| 06   | 37246      | BIGHT AMPLITUDE CONTROL LEVER LINK   | X | X | X | X | X |
| 07   | 354825-451 | BIGHT AMPLITUDE CONTROL LEVER LINK HINGE SCREW                                 | X | X | X | X | X |
| 08   | 49204      | BIGHT AMPLITUDE CONTROL LEVER LINK HINGE SCREW FRICTION WASHER                 | X | X | X | X | X |
| 09   | 141913-451 | BIGHT AMPLITUDE CONTROL LEVER LINK STOP SCREW                                  | X | X | X | X | X |
| 10   | 446904     | BIGHT AMPLITUDE CONTROL LEVER LINK STOP  | X | X | X | X | X |
| 11   | 531793     | BIGHT AMPLITUDE CONTROL LEVER MOUNTING BRACKET                                 | X | X | X | X | X |
| 12   | 54591-451  | BIGHT AMPLITUDE CONTROL LEVER LINK HINGE SCREW NUT                             | X | X | X | X | X |
| 13   | 113455-001 | BIGHT AMPLITUDE CONTROL LEVER MOUNTING BRACKET SCREW                           | X | X | X | X | X |
| 14   | 37933-001  | NEEDLE BAR DRIVING ARM   | X | X | X | X | X |
| 15   | 37942      | NEEDLE BAR DRIVING ARM TENSION SPRING  | X | X | X | X | X |
| 16   | 445780     | LIGHT LEAD SHIELD & NEEDLE BAR DRIVING ARM TENSION SPRING MOUNTING PLATE       | X | X | X | X | X |
| 17   | 113455-004 | LIGHT LEAD SHIELD & NEEDLE BAR DRIVING ARM TENSION SPRING MOUNTING PLATE SCREW | X | X | X | X | X |
| 18   | 446398-455 | BIGHT AMPLITUDE CONTROL LEVER KNOB (PLASTIC) (BLACK)                           | X | X | X | X | X |
| 18   | 446398-452 | BIGHT AMPLITUDE CONTROL LEVER KNOB (PLASTIC) (GRAY)                            | X | X | X | X | X |
| 18   | 446398-454 | BIGHT AMPLITUDE CONTROL LEVER KNOB (PLASTIC) (LIGHT BUFF) FOR DX2C             | X |   |   |   |   |



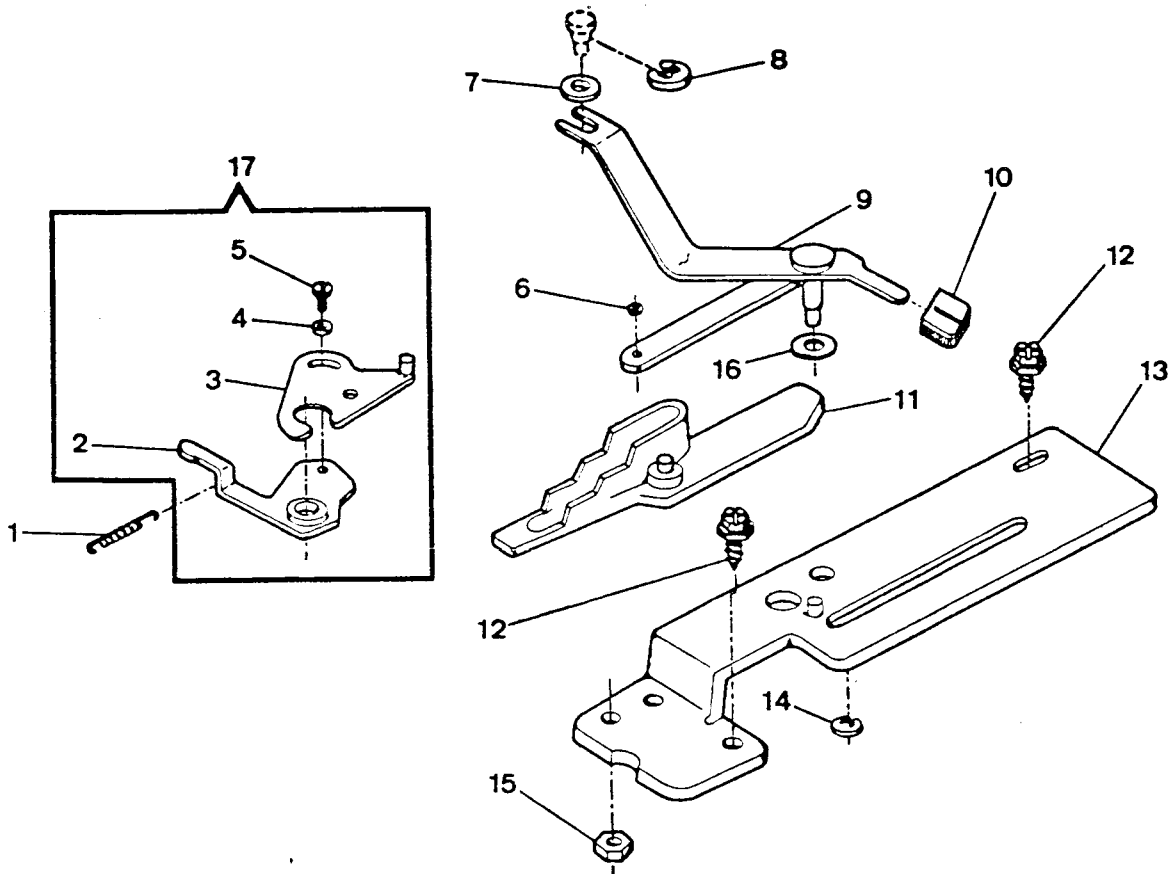
NEEDLE POSITION



PART LIST  
NEEDLE POSITION

| REF. | PART NBR   | DESCRIPTION   | 6 | 6 | 6 | 6 | 6 |
|------|------------|---|---|---|---|---|---|
|      |            |   | 2 | 2 | 2 | 2 | 2 |
|      |            |   | 1 | 1 | 1 | 1 | 1 |
|      |            |   | 1 | 2 | 4 | 5 | 7 |
| 01   | 355240-451 | NEEDLE BAR DRIVING ARM SLIDE SCREW                                    | X | X | X | X | X |
| 02   | 445841     | NEEDLE BAR DRIVING ARM SLIDE  | X | X | X | X | X |
| 03   | 356513     | NEEDLE BAR DRIVING ARM SLIDE BRACKET COMPLETE                         | X | X | X | X | X |
| 04   | 356514     | NEEDLE BAR DRIVING ARM SLIDE BRACKET                                  | X | X | X | X | X |
| 05   | 141913-451 | NEEDLE POSITION LEVER BRACKET STUD ARM SET<br>SCREW                   | X | X | X | X | X |
| 06   | 445721     | NEEDLE BAR DRIVING ARM SLIDE BRACKET<br>RETAINING RING                | X | X | X | X | X |
| 07   | 44371      | DISC FOLLOWER STUD RETAINING RING (UPPER &<br>LOWER)                  | X |   |   |   |   |
| 08   | 446023     | DISC FOLLOWER STUD  | X |   |   |   |   |
| 09   | 445646     | DISC FOLLOWER   | X |   |   |   |   |
| 10   | 353585     | DISC FOLLOWER STUD COLLAR   |   | X | X | X | X |
| 11   | 353548     | DISC FOLLOWER STUD WASHER   |   | X | X | X | X |
| 12   | 353584     | DISC FOLLOWER STUD  |   | X | X | X | X |
| 13   | 179897     | DISC FOLLOWER SPRING  |   | X | X | X | X |
| 14   | 446404     | DISC FOLLOWER   |   | X | X | X | X |
| 15   | 446398-455 | NEEDLE POSITION SELECTOR LEVER KNOB (PLASTIC)<br>(BLACK)              | X | X | X | X | X |
| 15   | 446398-452 | NEEDLE POSITION SELECTOR LEVER KNOB (PLASTIC)<br>(GRAY)               | X | X | X | X | X |
| 15   | 446398-454 | NEEDLE POSITION SELECTOR LEVER KNOB (PLASTIC)<br>(FOR DX2)            | X |   |   |   |   |
| 16   | 446397     | NEEDLE POSITION SELECTOR LEVER  | X | X | X | X | X |
| 17   | 141913-451 | NEEDLE POSITION SELECTOR LEVER SCREW                                  | X | X | X | X | X |
| 18   | 353547     | NEEDLE POSITION SELECTOR LEVER BRACKET                                | X |   |   |   |   |
| 19   | 446399     | NEEDLE POSITION SELECTOR LEVER ASSEMBLY                               | X |   |   |   |   |
| 20   | 44628      | NEEDLE POSITION SELECTOR LEVER BRACKET<br>ASSEMBLY                    |   | X | X | X | X |
| 21   | 446400     | NEEDLE POSITION SELECTOR LEVER BRACKET<br>COMPLETE                    |   | X | X | X | X |
| 22   | 113455-001 | NEEDLE POSITION SELECTOR LEVER MOUNTING PLATE<br>SCREW                | X | X | X | X | X |
| 23   | 446401     | NEEDLE POSITION SELECTOR LEVER MOUNTING PLATE                         | X |   |   |   |   |
| 24   | 54591-451  | DISC FOLLOWER STUD NUT  | X | X | X | X | X |
| 25   | 319690     | NEEDLE POSITION SELECTOR LEVER BRACKET<br>POSITIONING PIN             | X | X | X | X | X |
| 25   | 356228     | NEEDLE POSITION SELECTOR LEVER BRACKET<br>POSITIONING PIN (FOR JAPAN) | X | X | X | X | X |
| 26   | 444800     | NEEDLE POSITION SELECTOR LEVER BRACKET<br>POSITIONING PIN SPRING      | X | X | X | X | X |
| 27   | 618638-005 | NEEDLE BAR DRIVING ARM SLIDE SCREW LOCK NUT                           | X | X | X | X | X |

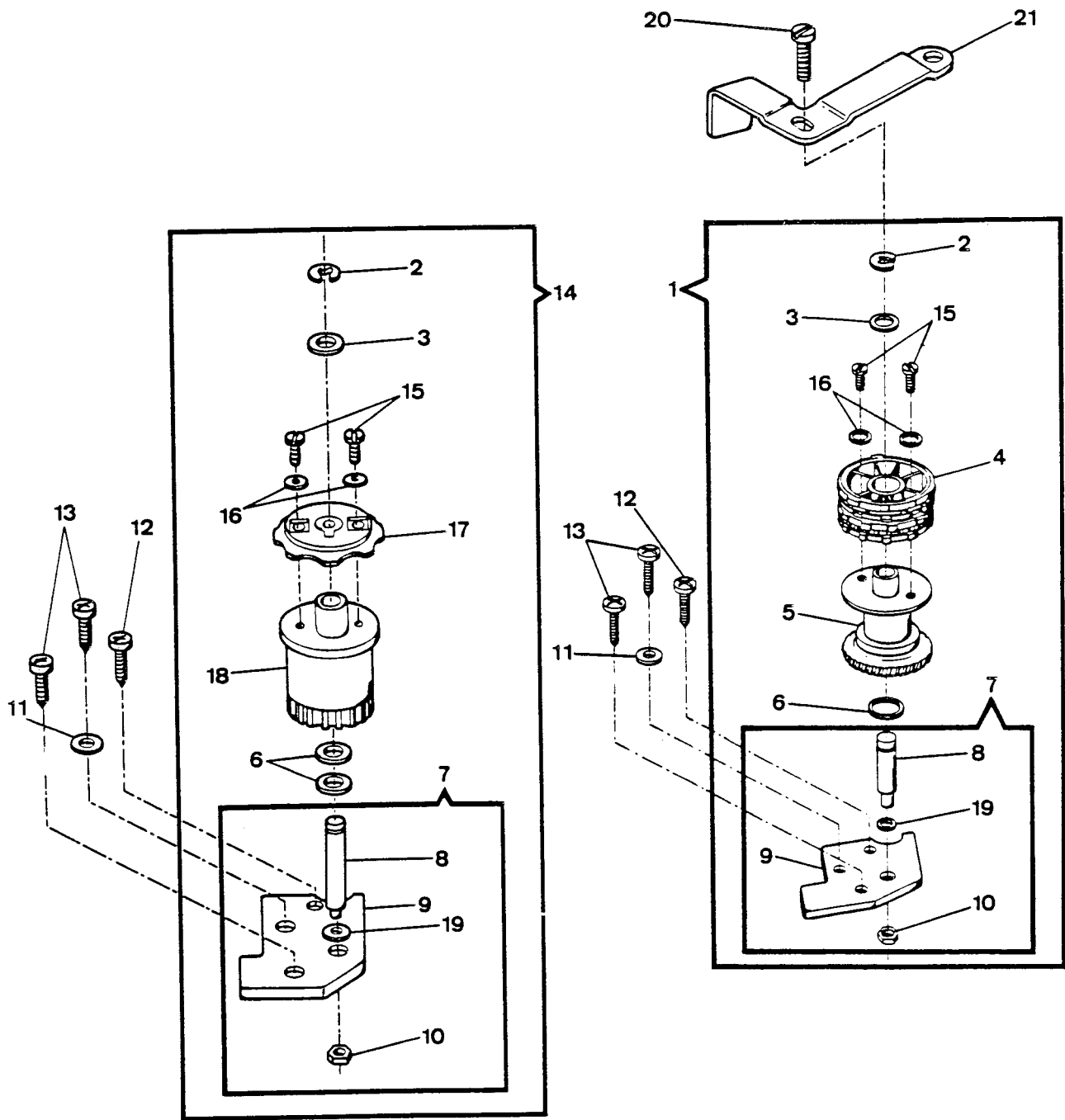
DISC SELECTION ASSEMBLY



PART LIST  
DISC SELECTION ASSEMBLY

| REF. | PART NBR   | DESCRIPTION  | 6 | 6 | 6 | 6 | 6 |
|------|------------|--|---|---|---|---|---|
|      |            |  | 2 | 2 | 2 | 2 | 2 |
|      |            |  | 1 | 1 | 1 | 1 | 1 |
|      |            |  | 1 | 2 | 4 | 5 | 7 |
| 01   | 446415     | DISC FOLLOWER DISENGAGING LEVER SPRING                       | X | X | X | X | X |
| 02   | 446412     | DISC FOLLOWER DISENGAGING LEVER                              | X | X | X | X | X |
| 03   | 446411     | DISC FOLLOWER DISENGAGING LEVER PLATE ASSEMBLY               | X | X | X | X | X |
| 04   | 445808     | DISC FOLLOWER DISENGAGING LEVER PLATE ADJUSTING SCREW WASHER | X | X | X | X | X |
| 05   | 141913-451 | DISC FOLLOWER DISENGAGING LEVER PLATE ADJUSTING SCREW        | X | X | X | X | X |
| 06   | 446417     | PATTERN SELECTOR CAM SLIDE CONNECTING LINK RETAINING RING    | X | X | X | X | X |
| 07   | 444923-452 | PATTERN SELECTOR LEVER HINGE STUD WASHER                     | X | X | X | X | X |
| 08   | 445486     | PATTERN SELECTOR LEVER RETAINING RING                        | X | X | X | X | X |
| 09   | 446383     | PATTERN SELECTOR LEVER COMPLETE                              | X | X | X | X | X |
| 10   | 446398-455 | PATTERN SELECTOR LEVER KNOB (PLASTIC) (BLACK)                | X | X | X | X | X |
| 10   | 446398-452 | PATTERN SELECTOR LEVER KNOB (PLASTIC) (GRAY)                 | X | X | X | X | X |
| 11   | 353322     | PATTERN SELECTOR CAM SLIDE                                   |   |   |   | X |   |
| 11   | 353323     | PATTERN SELECTOR CAM SLIDE                                   |   |   |   |   | X |
| 11   | 446406     | PATTERN SELECTOR CAM SLIDE                                   | X |   |   |   | X |
| 12   | 113455-001 | PATTERN SELECTOR MOUNTING PLATE SCREW                        | X | X | X | X | X |
| 13   | 446405     | PATTERN SELECTOR MOUNTING PLATE COMPLETE                     | X | X | X | X | X |
| 14   | 408030     | PATTERN SELECTOR LEVER RETAINING RING                        | X | X | X | X | X |
| 15   | 54591-451  | DISC FOLLOWER STUD NUT                                       | X | X | X | X | X |
| 16   | 313190-451 | PATTERN SELECTOR DRIVE STUD WASHER                           | X | X | X | X | X |
| 17   | 446410     | DISC FOLLOWER DISENGAGING LEVER PLATE COMPLETE               | X | X | X | X | X |

CAM STACK

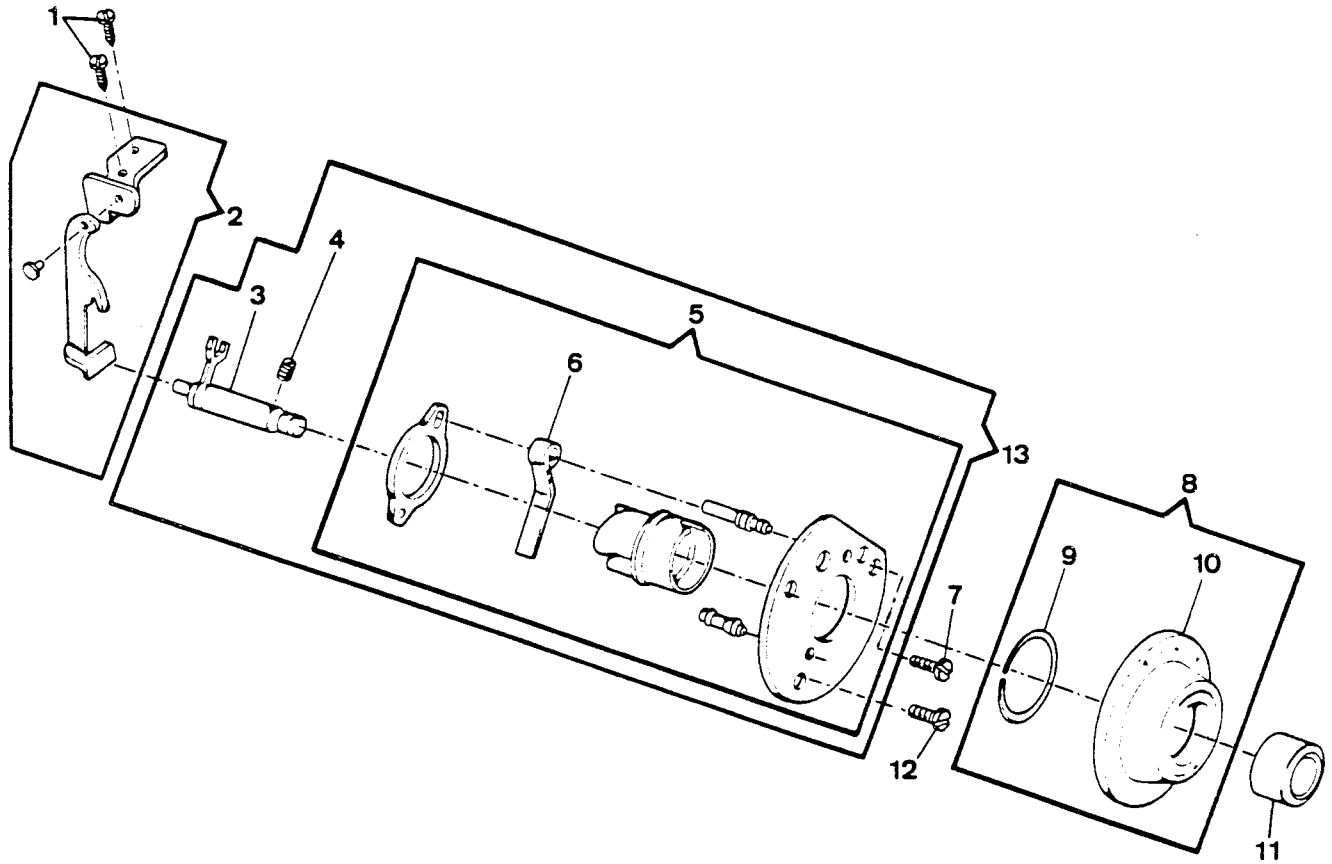


PART LIST  
CAM STACK

6 6 6 6 6  
2 2 2 2 2  
1 1 1 1 1  
1 2 4 5 7

| REF. | PART NBR   | DESCRIPTION   | 1 | 2 | 4 | 5 | 7 |
|------|------------|---|---|---|---|---|---|
| 01   | 356288-933 | DISC DRIVING GEAR COMPLETE                                  |   |   | X | X | X |
| 01   | 356288-932 | DISC DRIVING GEAR COMPLETE                                  |   | X |   |   |   |
| 02   | 444921     | DISC DRIVING GEAR RETAINING RING                            | X | X | X | X | X |
| 03   | 444923-453 | DISC DRIVING GEAR SHAFT FRICTION WASHER                     | X | X | X | X | X |
| 04   | 353287     | DISC STACK (PLASTIC)  |   | X | X | X | X |
| 05   | 445754     | DISC DRIVING GEAR ASSEMBLY                                  |   | X | X | X | X |
| 06   | 356256-001 | DISC DRIVING GEAR SHAFT SPACER                              | X | X | X | X | X |
| 06   | 356256-002 | DISC DRIVING GEAR SHAFT SPACER                              | X | X | X | X | X |
| 06   | 444923-451 | DISC DRIVING GEAR SHAFT SPACER                              | X | X | X | X | X |
| 07   | 446420     | DISC DRIVING GEAR SHAFT MOUNTING PLATE ASSEMBLY             | X | X |   |   |   |
| 07   | 446420-001 | DISC DRIVING GEAR SHAFT MOUNTING PLATE ASSEMBLY             |   |   | X | X | X |
| 08   | 446418     | DISC DRIVING GEAR SHAFT                                     | X | X |   |   |   |
| 08   | 446418-001 | DISC DRIVING GEAR SHAFT                                     |   |   | X | X | X |
| 09   | 353575     | DISC DRIVING GEAR SHAFT MOUNTING PLATE                      | X | X | X | X | X |
| 10   | 53648-451  | DISC DRIVING GEAR SHAFT NUT                                 | X | X | X | X | X |
| 11   | 353375-451 | DISC DRIVING GEAR SHAFT MOUNTING PLATE SCREW WASHER         | X | X | X | X | X |
| 12   | 113455-001 | DISC DRIVING GEAR SHAFT MOUNTING PLATE SCREW                | X | X | X | X | X |
| 13   | 113435-451 | DISC DRIVING GEAR SHAFT MOUNTING PLATE SCREW                | X | X | X | X | X |
| 14   | 446421-931 | DISC DRIVING GEAR COMPLETE                                  | X |   |   |   |   |
| 15   | 113375-451 | DISC STACK POSITIONING SCREW                                | X |   |   |   |   |
| 15   | 141920-452 | DISC STACK POSITIONING SCREW                                |   | X | X | X | X |
| 16   | 179957-451 | DISC STACK POSITIONING SCREW WASHER                         | X |   |   |   |   |
| 16   | 446138     | DISC STACK POSITIONING SCREW WASHER                         |   | X | X | X | X |
| 17   | 445762     | DISC STACK (PLASTIC)  | X |   |   |   |   |
| 18   | 179958     | DISC DRIVING GEAR   | X |   |   |   |   |
| 19   | 353488     | DISC DRIVING GEAR SHAFT WASHER                              | X | X | X | X | X |
| 20   | 354654-451 | DISC DRIVING GEAR (COMPLETE) SUPPORT BRACKET MOUNTING SCREW |   |   |   | X | X |
| 21   | 353440-900 | DISC DRIVING GEAR (COMPLETE)                                |   |   | X | X | X |

FEED REGULATOR CAM



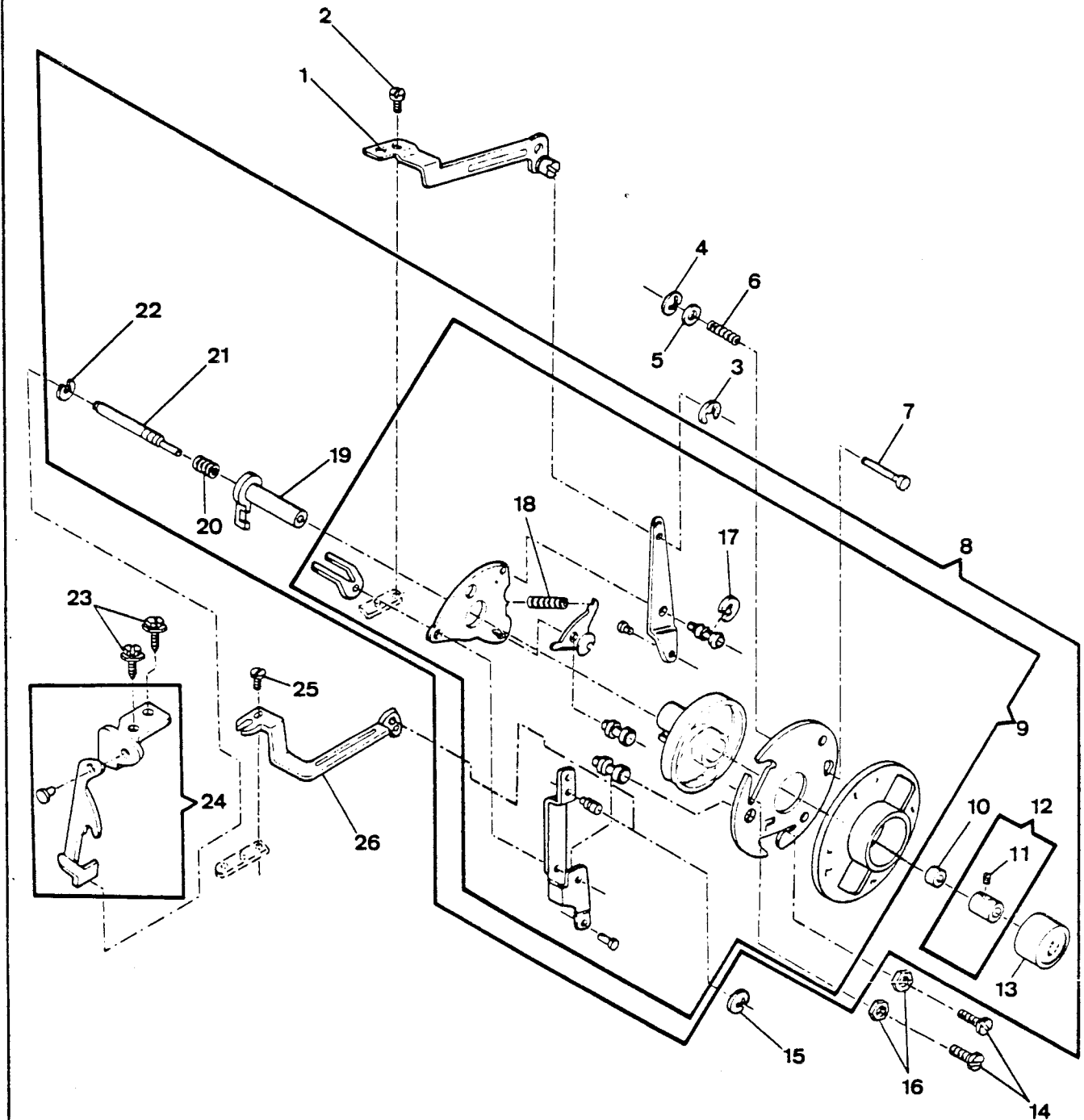
PART LIST  
FEED REGULATOR CAM

6 6 6 6 6  
2 2 2 2 2  
1 1 1 1 1  
1 2 4 5 7

| REF. | PART NBR   | DESCRIPTION  |  |  |  |  |   |
|------|------------|--|--|--|--|--|---|
| 01   | 113455-001 | FEED REGULATOR CONTROL ARM MOUNTING BRACKET<br>SCREW |  |  |  |  | X |
| 02   | 353304     | FEED REGULATOR CONTROL ARM ASSEMBLY                  |  |  |  |  | X |
| 03   | 353472     | FEED REGULATOR CAM FOLLOWER                          |  |  |  |  | X |
| 04   | 37970      | FEED REGULATOR CAM FOLLOWER STUD                     |  |  |  |  | X |
| 05   | 445652     | FEED REGULATOR CAM                                   |  |  |  |  | X |
| 06   | 44420      | FEED REGULATOR CAM FRICTION SPRING                   |  |  |  |  | X |
| 07   | 531806-451 | FEED REGULATOR MOUNTING PLATE SCREW (RIGHT)          |  |  |  |  | X |
| 08   | 446428-451 | FEED REGULATOR CONTROL DIAL ASSEMBLY                 |  |  |  |  | X |
| 08   | 446428-453 | FEED REGULATOR CONTROL DIAL ASSEMBLY<br>(SPRINT DX2) |  |  |  |  | X |
| 09   | 445461     | FEED REGULATOR CONTROL DIAL RETAINING RING           |  |  |  |  | X |
| 10   | 446427-451 | FEED REGULATOR CONTROL DIAL                          |  |  |  |  | X |
| 10   | 446427-453 | FEED REGULATOR CONTROL DIAL (SPRINT DX2)             |  |  |  |  | X |
| 11   | 179904-454 | FEED REGULATOR POSITIONING PIN KNOB                  |  |  |  |  | X |
| 12   | 531807-451 | FEED REGULATOR MOUNTING PLATE SCREW (LEFT)           |  |  |  |  | X |
| 13   | 353487     | FEED REGULATOR CAM COMPLETE                          |  |  |  |  | X |



BUTTONHOLER & FEED REGULATOR CAM



PART LIST  
 BUTTONHOLER & FEED REGULATOR CAM

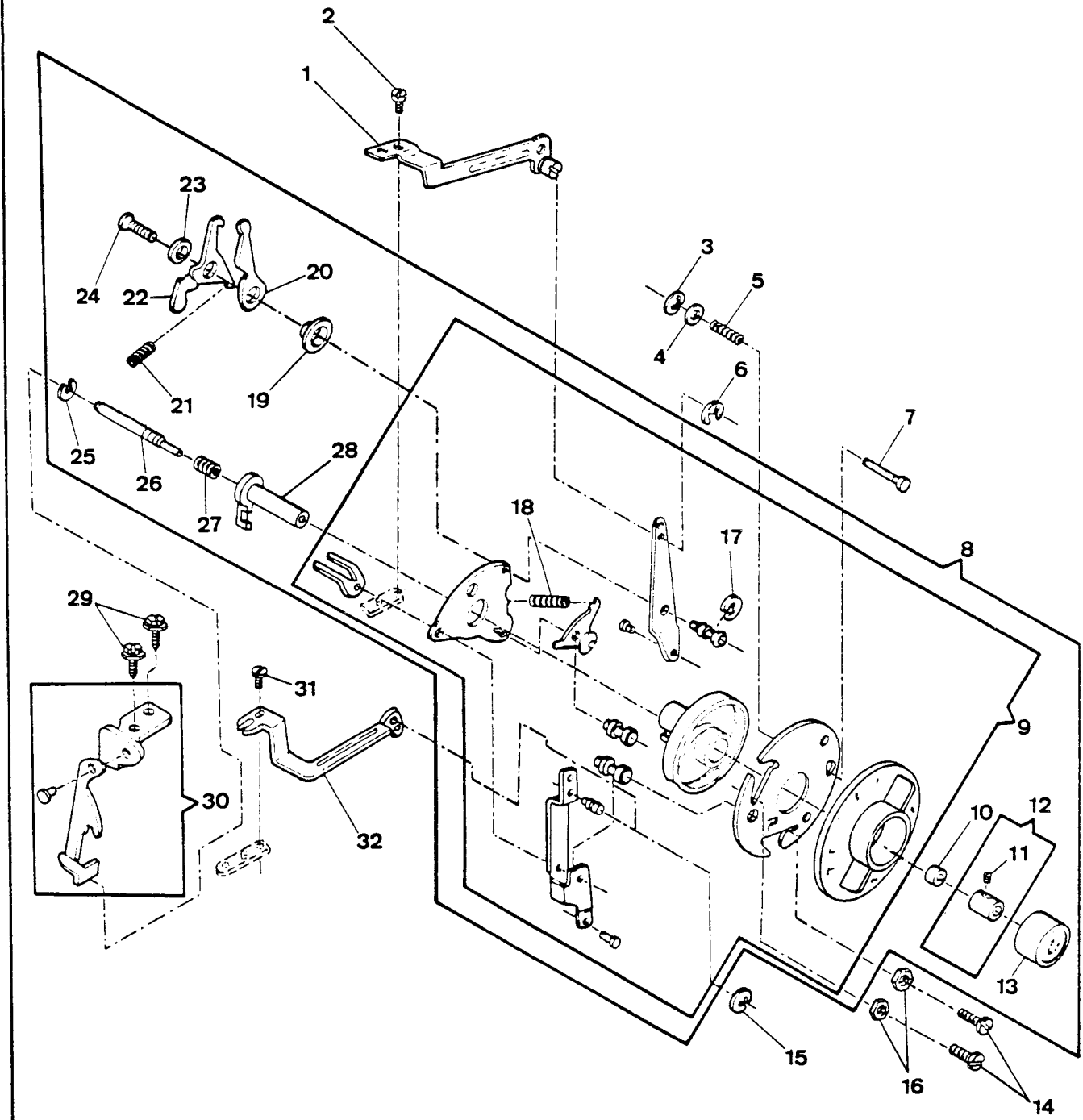
6 6 6 6 6  
 2 2 2 2 2  
 1 1 1 1 1  
 1 2 4 5 7

| REF. | PART NBR    | DESCRIPTION   |  |  |  |  |   |
|------|-------------|---|--|--|--|--|---|
| 01   | 356233      | BUTTONHOLER NEEDLE POSITION CAM FOLLOWER<br>LEVER LINK (RIGHT)                |  |  |  |  | X |
| 02   | 141913-451  | BUTTONHOLER NEEDLE POSITION CAM FOLLOWER<br>LEVER LINK (LEFT & RIGHT) SCREW   |  |  |  |  | X |
| 03   | 445486      | BUTTONHOLER NEEDLE POSITION CAM FOLLOWER<br>LEVER LINK (RIGHT) RETAINING RING |  |  |  |  | X |
| 04   | 408030      | BUTTONHOLER & FEED REGULATOR MECHANISM<br>MOUNTING PLATE STUD RETAINING RING  |  |  |  |  | X |
| 05   | 549426-451  | BUTTONHOLER & FEED REGULATOR MECHANISM<br>MOUNTING PLATE STUD SPRING WASHER   |  |  |  |  | X |
| 06   | 179949      | BUTTONHOLER & FEED REGULATOR MECHANISM<br>MOUNTING PLATE STUD SPRING          |  |  |  |  | X |
| 07   | 356230      | BUTTONHOLER & FEED REGULATOR MECHANISM<br>MOUNTING PLATE STUD                 |  |  |  |  | X |
| 08   | 353517-451  | BUTTONHOLER & FEED REGULATOR CAM COMPLETE                                     |  |  |  |  | X |
| 08   | 353517-45Y  | BUTTONHOLER & FEED REGULATOR CAM COMPLETE<br>(SPORT)                          |  |  |  |  | X |
| 09   | 353516-451  | BUTTONHOLER & FEED REGULATOR CAM ASSEMBLY                                     |  |  |  |  | X |
| 09   | 353516-45Y  | BUTTONHOLER & FEED REGULATOR CAM ASSEMBLY<br>(SPORT)                          |  |  |  |  | X |
| 10   | 445945      | REVERSE FEED CAM FOLLOWER   |  |  |  |  | X |
| 11   | 113433-451  | FEED REGULATOR POSITIONING PIN KNOB ADAPTOR<br>SET SCREW                      |  |  |  |  | X |
| 12   | 353445      | FEED REGULATOR POSITIONING PIN KNOB ADAPTOR                                   |  |  |  |  | X |
| 13   | 179903-451  | FEED REGULATOR POSITIONING PIN KNOB   |  |  |  |  | X |
| 13   | 179903-453  | FEED REGULATOR POSITIONING PIN KNOB (SPORT)                                   |  |  |  |  | X |
| 13   | SK-3935-006 | FEED REGULATOR POSIT. PIN KNOB (LADY STAR)                                    |  |  |  |  | X |
| 13   | SK-3935-000 | FEED REGULATOR POSITIONING PIN KNOB (JAPAN)                                   |  |  |  |  | X |
| 14   | 113513-451  | BUTTONHOLER & FEED REGULATOR MECHANISM<br>MOUNTING PLATE SCREW                |  |  |  |  | X |
| 15   | 445486      | BUTTONHOLER BIGHT CONTROL CAM FOLLOWER LEVER<br>LINK (RIGHT) RETAINING RING   |  |  |  |  | X |
| 16   | 353588-451  | BUTTONHOLER & FEED REGULATOR MECHANISM<br>MOUNTING PLATE SCREW WASHER         |  |  |  |  | X |
| 17   | 353215      | BUTTONHOLER NEEDLE POSITION CAM FOLLOWER<br>LEVER RETAINING RING              |  |  |  |  | X |
| 18   | 353495      | BUTTONHOLER & FEED REGULATOR CONTROL DIAL<br>PAWL SPRING                      |  |  |  |  | X |
| 19   | 353305      | FEED REGULATOR POSITIONING PIN CARRIER  |  |  |  |  | X |
| 20   | 44612       | FEED REGULATOR POSITIONING PIN FRICTION<br>SPRING                             |  |  |  |  | X |
| 21   | 353446      | FEED REGULATOR POSITIONING PIN  |  |  |  |  | X |
| 22   | 445721      | FEED REGULATOR POSITIONING PIN FRICTION<br>SPRING RETAINING RING              |  |  |  |  | X |
| 23   | 113455-001  | FEED REGULATOR CONTROL ARM MOUNTING BRACKET<br>SCREW                          |  |  |  |  | X |
| 24   | 353304      | FEED REGULATOR CONTROL ARM ASSEMBLY   |  |  |  |  | X |
| 25   | 141913-451  | BUTTONHOLER BIGHT CONTROL ARM FOLLOWER LEVER<br>LINK (LEFT & RIGHT) SCREW     |  |  |  |  | X |
| 26   | 353551      | BUTTONHOLER BIGHT CONTROL ARM FOLLOWER LEVER<br>LINK (RIGHT)                  |  |  |  |  | X |

6210 SERIES PARTS LIST  
 P/N 356493-001

REV. No. \_\_\_\_\_

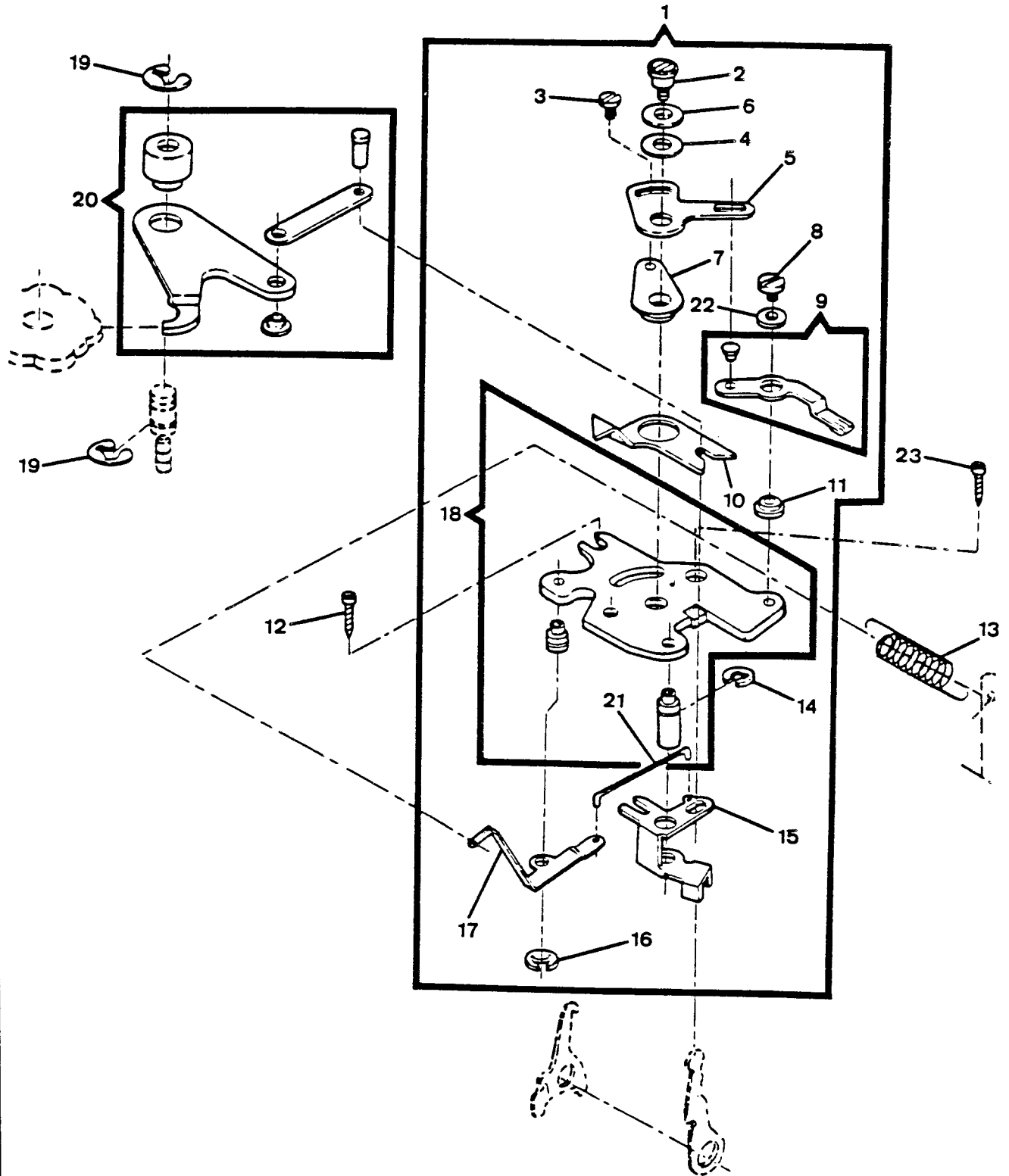
BUTTONHOLER & FEED REGULATOR CAM (CONT.)



PART LIST  
 BUTTONHOLER & FEED REGULATOR CAM (CONT.)

| REF. | PART NBR   | DESCRIPTION  | 6 | 6 | 6 | 6 | 6   |
|------|------------|--|---|---|---|---|-----|
|      |            |  | 2 | 2 | 2 | 2 | 2   |
|      |            |  | 1 | 1 | 1 | 1 | 1   |
|      |            |  | 1 | 2 | 4 | 5 | 7   |
| 01   | 356233     | BUTTONHOLER NEEDLE POSITION CAM FOLLOWER<br>LEVER LINK (RIGHT)               |   |   |   | X | X X |
| 02   | 141913-451 | BUTTONHOLER NEEDLE POSITION CAM FOLLOWER<br>LEVER LINK (LEFT & RIGHT) SCREW  |   |   |   | X | X X |
| 03   | 408030     | BUTTONHOLER & FEED REGULATOR MECHANISM<br>MOUNTING PLATE STUD RETAINING RING |   |   |   | X | X X |
| 04   | 549426-451 | BUTTONHOLER & FEED REGULATOR MECHANISM<br>MOUNTING PLATE STUD SPRING WASHER  |   |   |   | X | X X |
| 05   | 179949     | BUTTONHOLER & FEED REGULATOR MECHANISM<br>MOUNTING PLATE STUD SPRING         |   |   |   | X | X X |
| 06   | 445486     | BUTTONHOLER BIGHT CONTROL CAM FOLLOWER LEVER<br>LINK (RIGHT) RETAINING RING  |   |   |   | X | X X |
| 07   | 356230     | BUTTONHOLER & FEED REGULATOR MECHANISM<br>MOUNTING PLATE STUD                |   |   |   | X | X X |
| 08   | 353318-451 | BUTTONHOLER & FEED REGULATOR CAM COMPLETE                                    |   |   |   | X | X X |
| 09   | 353317-451 | BUTTONHOLER & FEED REGULATOR CAM ASSEMBLY                                    |   |   |   | X | X X |
| 10   | 445945     | REVERSE FEED CAM FOLLOWER  |   |   |   | X | X X |
| 11   | 113433-451 | FEED REGUL.POSIT.PIN KNOB ADAPTOR SET SCREW                                  |   |   |   | X | X X |
| 12   | 353445     | FEED REGULATOR POSITIONING PIN KNOB ADAPTOR                                  |   |   |   | X | X X |
| 13   | 179903-451 | FEED REGULATOR POSITIONING PIN KNOB  |   |   |   | X | X X |
| 14   | 113513-451 | BUTTONHOLER & FEED REGULATOR MECHANISM<br>MOUNTING PLATE SCREW               |   |   |   | X | X X |
| 15   | 445486     | BUTTONHOLER BIGHT CONTROL CAM FOLLOWER LEVER<br>LINK (RIGHT) RETAINING RING  |   |   |   | X | X X |
| 16   | 353588-451 | BUTTONHOLER & FEED REGULATOR MECHANISM<br>MOUNTING PLATE SCREW WASHER        |   |   |   | X | X X |
| 17   | 353215     | BUTTONHOLER NEEDLE POSITION CAM FOLLOWER<br>LEVER RETAINING RING             |   |   |   | X | X X |
| 18   | 353495     | BUTTONHOLER & FD.REG.CONTROL DIAL PAWL SPRING                                |   |   |   | X | X X |
| 19   | 353319     | CAM CONTROL FEED ENGAGING CAM FOLLOWER &<br>LEVER BUSHING                    |   |   |   | X | X X |
| 20   | 353321     | CAM CONTROL FEED ENGAGING CAM FOLLOWER LEVER                                 |   |   |   | X | X X |
| 21   | 353495     | CAM CONTROL FEED ENGAGING CAM FOLLOWER &<br>LEVER SPRING                     |   |   |   | X | X X |
| 22   | 353320     | CAM CONTROL FEED ENGAGING CAM FOLLOWER                                       |   |   |   | X | X X |
| 23   | 445539     | CAM CONTROL FEED ENGAGING CAM FOLLOWER &<br>LEVER WASHER                     |   |   |   | X | X X |
| 24   | 113372-451 | CAM CONTROL FEED ENGAGING CAM FOLLOWER &<br>LEVER MOUNTING SCREW             |   |   |   | X | X X |
| 25   | 445721     | FEED REGULATOR POSITIONING PIN FRICTION<br>SPRING RETAINING RING             |   |   |   | X | X X |
| 26   | 353446     | FEED REGULATOR POSITIONING PIN   |   |   |   | X | X X |
| 27   | 44612      | FEED REGULATOR POSITIONING PIN FRICTION<br>SPRING                            |   |   |   | X | X X |
| 28   | 353305     | FEED REGULATOR POSITIONING PIN CARRIER                                       |   |   |   | X | X X |
| 29   | 113455-001 | FEED REGULATOR CONTROL ARM MOUNTING BRACKET                                  |   |   |   | X | X X |
| 30   | 353304     | FEED REGULATOR CONTROL ARM ASSEMBLY  |   |   |   | X | X X |
| 31   | 141913-451 | BUTTONHOLER BIGHT CONTROL CAM FOLLOWER<br>LEVER LINK (LEFT & RIGHT) SCREW    |   |   |   | X | X X |
| 32   | 353551     | BUTTONHOLER BIGHT CONTROL CAM FOLLOWER<br>LEVER LINK (RIGHT)                 |   |   |   | X | X X |

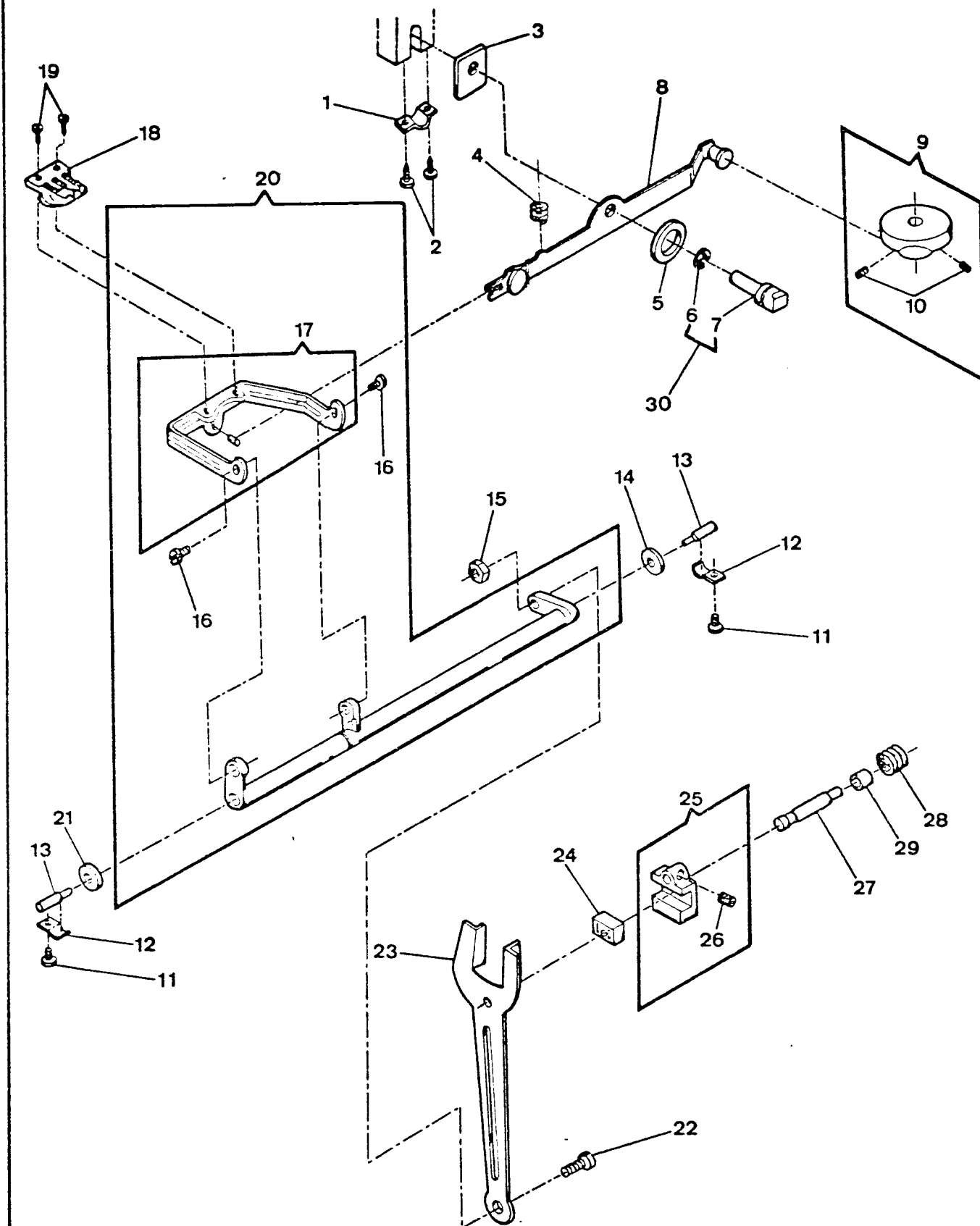
CAM CONTROLLED FEED



PART LIST  
CAM CONTROLLED FEED

| REF. | PART NBR   | DESCRIPTION   | 6 | 6 | 6 | 6 | 6 |
|------|------------|---|---|---|---|---|---|
|      |            |   | 2 | 2 | 2 | 2 | 2 |
|      |            |   | 1 | 1 | 1 | 1 | 1 |
|      |            |   | 1 | 2 | 4 | 5 | 7 |
| 01   | 531749     | CAM CONTROLLED FEED MOUNTING BRACKET COMPLETE                   |   |   | X | X | X |
| 02   | 113423-451 | CAM CONTROLLED FEED BALANCE ADJUSTING SPRING<br>HINGE SCREW     |   |   | X | X | X |
| 03   | 141913-451 | CAM CONTROLLED FEED BALANCE ADJUSTING SCREW                     |   |   | X | X | X |
| 04   | 353492     | CAM CONTROLLED FEED BALANCE ADJUSTING SPRING<br>WASHER          |   |   | X | X | X |
| 05   | 531754     | CAM CONTROLLED FEED BALANCE ADJUSTING SPRING                    |   |   | X | X | X |
| 06   | 543531     | CAM CONTROLLED FEED BALANCE ADJUSTING SCREW<br>WASHER           |   |   | X | X | X |
| 07   | 353331     | CAM CONTROLLED FEED DRIVING ARM ECCENTRIC                       |   |   | X | X | X |
| 08   | 113424-451 | CAM CONTROLLED FEED BALANCE ADJUSTING LEVER<br>HINGE SCREW      |   |   | X | X | X |
| 09   | 531752-452 | CAM CONTROLLED FEED BALANCE ADJUSTING LEVER<br>ASSEMBLY         |   |   | X | X | X |
| 10   | 353330     | CAM CONTROLLED FEED DRIVING ARM                                 |   |   | X | X | X |
| 11   | 353334     | CAM CONTROLLED FEED BALANCE ADJUSTING LEVER<br>MOUNTING BUSHING |   |   | X | X | X |
| 12   | 113455-001 | CAM CONTROLLED FEED MOUNTING BRACKET SCREW                      |   |   | X | X | X |
| 13   | 356605     | FEED REGULATOR CONTROL ARM BIAS LINK SPRING                     |   |   | X | X | X |
| 14   | 445721     | CAM CONTROLLED FEED ENGAGING CRANK RETAINING<br>RING            |   |   | X | X | X |
| 15   | 353329     | CAM CONTROLLED FEED ENGAGING CRANK                              |   |   | X | X | X |
| 16   | 445486     | CAM CONTROLLED FEED FOLLOWER & LINK<br>RETAINING RING           |   |   | X | X | X |
| 17   | 356166     | CAM CONTROLLED FEED ENGAGING CRANK LEVER                        |   |   | X | X | X |
| 18   | 531750     | CAM CONTROLLED FEED MOUNTING BRACKET<br>ASSEMBLY                |   |   | X | X | X |
| 19   | 445486     | CAM CONTROLLED FEED FOLLOWER & LINK<br>RETAINING RING           |   |   | X | X | X |
| 20   | 353335     | CAM CONTROLLED FEED FOLLOWER & LINK ASSEMBLY                    |   |   | X | X | X |
| 21   | 353473     | CAM CONTROLLED FEED ENGAGING CRANK LINK                         |   |   | X | X | X |
| 22   | 422523     | CAM CONTROLLED FEED BALANCE ADJUSTING LEVER<br>WASHER           |   |   | X | X | X |
| 23   | 113455-003 | CAM CONTROLLED FEED MOUNTING BRACKET SCREW<br>(RIGHT)           |   |   | X | X | X |

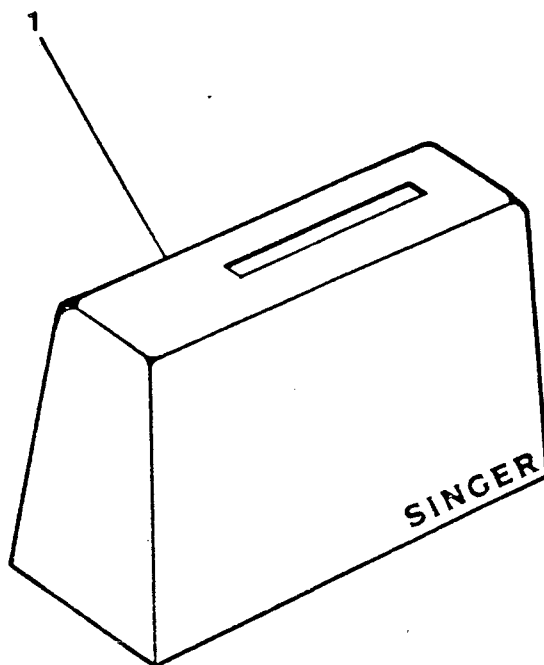
FEED SYSTEM



PART LIST  
FEED SYSTEM

| REF. | PART NBR   | DESCRIPTION  | 6 | 6 | 6 | 6 | 6 |
|------|------------|--|---|---|---|---|---|
|      |            |  | 2 | 2 | 2 | 2 | 2 |
|      |            |  | 1 | 1 | 1 | 1 | 1 |
|      |            |  | 1 | 2 | 4 | 5 | 7 |
| 01   | 446485     | FEED LIFTING LEVER HINGE STUD (ECCENTRIC)<br>CLAMP               | X | X | X | X | X |
| 02   | 113455-001 | FEED LIFTING LEVER HINGE STUD (ECCENTRIC)<br>CLAMP               | X | X | X | X | X |
| 03   | 179955     | FEED LIFTING LEVER HINGE STUD (ECCENTRIC)<br>SPACER              | X | X | X | X | X |
| 04   | 446249     | FEED LIFTING LEVER SPRING  | X | X | X | X | X |
| 05   | 353427     | FEED LIFTING LEVER HINGE STUD (ECCENTRIC)<br>SPACER              | X | X | X | X | X |
| 06   | 353428     | FEED LIFTING LEVER HINGE STUD (ECCENTRIC)<br>RETAINING PLATE     | X | X | X | X | X |
| 07   | 353448     | FEED LIFTING LEVER HINGE STUD (ECCENTRIC)                        | X | X | X | X | X |
| 08   | 356222     | FEED LIFTING LEVER ASSEMBLY                                      | X | X | X | X | X |
| 09   | 446228     | FEED LIFTING CAM   | X | X | X | X | X |
| 10   | 544118     | FEED LIFTING CAM SCREW   | X | X | X | X | X |
| 11   | 113455-001 | FEED ROCK SHAFT CENTER SUPPORTING BRACKET<br>SCREW               | X | X | X | X | X |
| 12   | 446484     | FEED ROCK SHAFT CENTER CLAMP (LEFT & RIGHT)                      | X | X | X | X | X |
| 13   | 446487-001 | FEED ROCK SHAFT CENTER   | X | X | X | X | X |
| 14   | 353397     | FEED ROCK SHAFT CENTER (RIGHT) NOISE<br>DAMPENING WASHER         | X | X | X | X | X |
| 15   | 53648-451  | FEED FORKED CONNECTING SCREW STUD NUT                            | X | X | X | X | X |
| 16   | 354939-451 | FEED BAR HINGE SCREW   | X | X | X | X | X |
| 17   | 446205     | FEED BAR ASSEMBLY  | X | X | X | X | X |
| 18   | 179891     | FEED DOG   | X | X | X | X | X |
| 19   | 355235-451 | FEED DOG SCREW   | X | X | X | X | X |
| 20   | 446216     | FEED ROCK SHAFT COMPLETE   | X | X | X | X | X |
| 21   | 353397     | FEED ROCK SHAFT CENTER (LEFT) NOISE<br>DAMPENING WASHER          | X | X | X | X | X |
| 22   | 531623-451 | FEED FORKED CONNECTING HINGE SCREW<br>(ECCENTRIC)                | X | X | X | X | X |
| 23   | 531926     | FEED FORKED CONNECTING   | X | X | X | X | X |
| 24   | 44437      | FEED FORKED CONNECTING SLIDE BLOCK                               | X | X | X | X | X |
| 25   | 446244     | FEED REGULATOR ASSEMBLY  | X | X | X | X | X |
| 26   | 141925-833 | FEED REGULATOR SET SCREW   | X | X | X | X | X |
| 27   | 446483     | FEED REGULATOR HINGE STUD  | X | X | X | X | X |
| 28   | 179890     | FEED REGULATOR RETURN SPRING                                     | X | X | X | X | X |
| 29   | 445768     | FEED REGULATOR RETURN SPRING BUSHING<br>(PLASTIC)                | X | X | X | X | X |
| 30   | 353479     | FEED LIFTING LEVER HINGE STUD (ECCENTRIC)<br>WITH RETAINING RING | X | X | X | X | X |



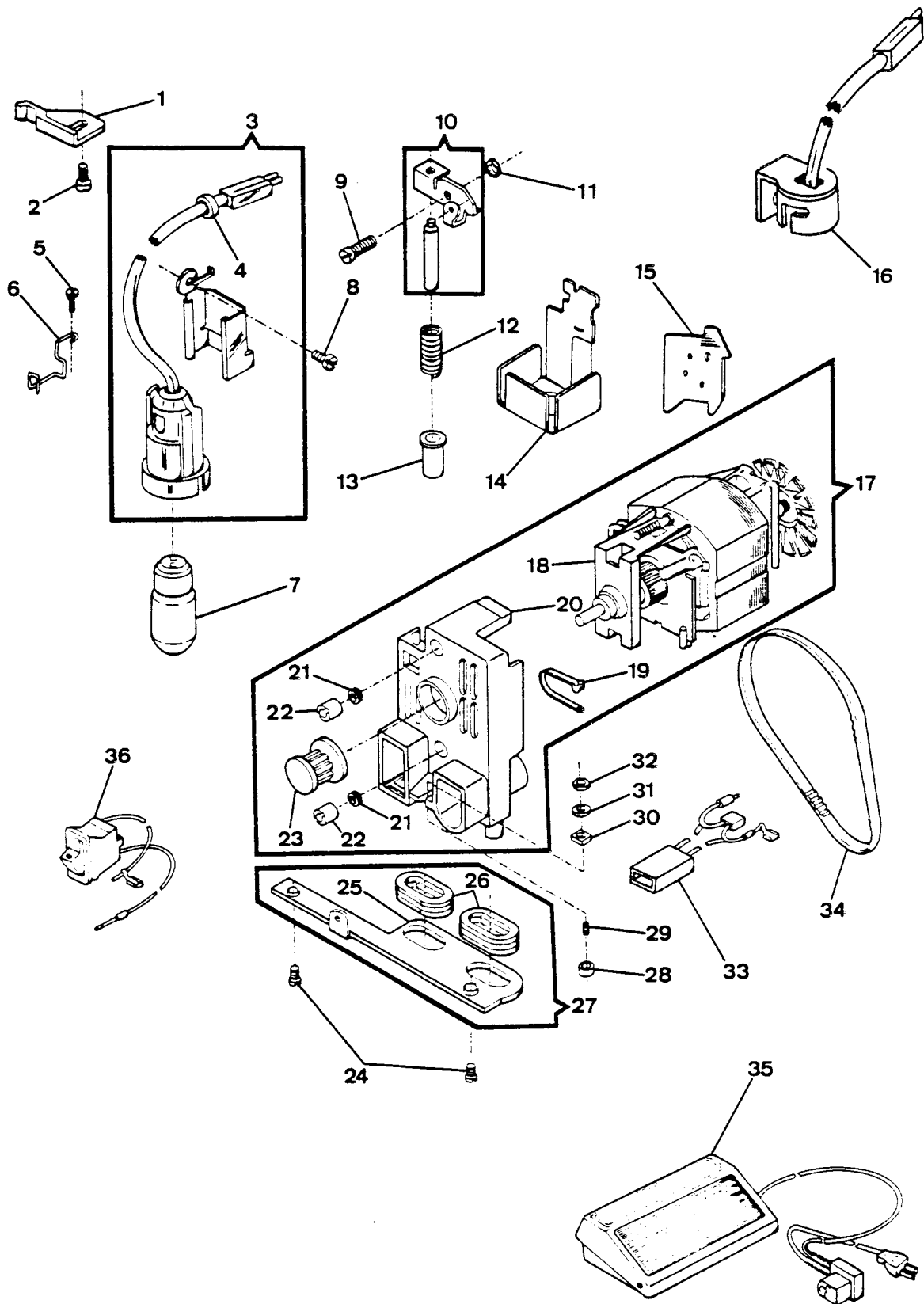


PART LIST  
OPTIONS

6 6 6 6 6  
2 2 2 2 2  
1 1 1 1 1  
1 2 4 5 7

| REF. | PART NBR   | DESCRIPTION   |   |   |   |   |   |
|------|------------|---|---|---|---|---|---|
| 01   | 353491-451 | SOFT VYNIL COVER (TUBULAR BED) (FOR METAL HANDLE)   | X | X | X | X | X |
| 01   | 531928-451 | SOFT VYNIL COVER (TUBULAR BED) (FOR PLASTIC HANDLE) | X | X | X | X | X |
| 02   | 116863     | FINGER GUARD (OPTIONAL)                             | X | X | X | X | X |

ELECTRICAL EQUIPMENT



PART LIST  
ELECTRICAL EQUIPMENT

| REF. | PART NBR   | DESCRIPTION                                       | 6 | 6 | 6 | 6 | 6 |
|------|------------|---|---|---|---|---|---|
|      |            |   | 2 | 2 | 2 | 2 | 2 |
|      |            |   | 1 | 1 | 1 | 1 | 1 |
|      |            |   | 1 | 2 | 4 | 5 | 7 |
| 01   | 353411     | LIGHT LEAD RETAINING CLIP                         | X | X | X | X | X |
| 02   | 113504-451 | LIGHT LEAD RETAINING CLIP MOUNTING SCREW          | X | X | X | X | X |
| 03   |            | REFER TO CHARTS ON FOLLOWING PAGES                |   |   |   |   |   |
| 04   | 179908     | LIGHT LEAD GROMMET                                | X | X | X | X | X |
| 05   | 113455-001 | LIGHT LEAD WIRE RETAINER MOUNTING SCREW           | X | X | X | X | X |
| 06   | 353247     | LIGHT LEAD WIRE RETAINER                          | X | X | X | X | X |
| 07   | 988076-001 | LAMP (120V)                                       | X | X | X | X | X |
| 07   | 988076-003 | LAMP (220V)                                       | X | X | X | X | X |
| 07   | 988076-005 | LAMP (240V)                                       | X | X | X | X | X |
| 08   | 141913-451 | LIGHT SOCKET MOUNTING SCREW                       | X | X | X | X | X |
| 09   | 113372-451 | MOTOR GUIDE PIN MOUNTING BRACKET SCREW            | X | X | X | X | X |
| 10   | 446470     | MOTOR GUIDE PIN MOUNTING BRACKET ASSEMBLY         | X | X | X | X | X |
| 11   | 313470-452 | MOTOR GUIDE PIN MOUNTING BRACKET SCREW NUT        | X | X | X | X | X |
| 12   | 446473     | MOTOR BELT TENSION SPRING                         | X | X | X | X | X |
| 13   | 446475     | MOTOR GUIDE PIN BUSHING                           | X | X | X | X | X |
| 14   | 605087-001 | HEAT SHIELD (FOR EUROPE)                          | X | X | X | X | X |
| 15   | 179901     | LIGHT SHIELD (WITHOUT GRAPHICS)                   | X | X | X | X | X |
| 15   | 179910-451 | LIGHT SHIELD (WITH GRAPHICS)                      | X | X | X | X | X |
| 16   |            | REFER TO CHARTS ON FOLLOWING PAGES                |   |   |   |   |   |
| 17   |            | REFER TO CHARTS ON FOLLOWING PAGES                |   |   |   |   |   |
| 18   |            | REFER TO CHARTS ON FOLLOWING PAGES                |   |   |   |   |   |
| 19   | 605600-P01 | TYE RAP   | X | X | X | X | X |
| 20   |            | REFER TO CHARTS ON FOLLOWING PAGES                |   |   |   |   |   |
| 21   | 604018-003 | MOTOR MODULE WASHER                               | X | X | X | X | X |
| 22   | 603907-001 | MOTOR MODULE NUT                                  | X | X | X | X | X |
| 23   | 988761-001 | MOTOR PULLEY                                      | X | X | X | X | X |
| 24   | 113370-451 | MOTOR MOUNTING PLATE SCREW                        | X | X | X | X | X |
| 25   | 446476     | MOTOR MOUNTING PLATE                              | X | X | X | X | X |
| 26   | 353355     | MOTOR MOUNTING PLATE GROMMET                      | X | X | X | X | X |
| 27   | 446479     | MOTOR MOUNTING PLATE ASSEMBLY                     | X | X | X | X | X |
| 28   | 988887-001 | MOTOR BELT SCREW CAP                              | X | X | X | X | X |
| 29   | 113343-451 | MOTOR BELT SCREW                                  | X | X | X | X | X |
| 30   | 179887     | MOTOR BELT SCREW NUT                              | X | X | X | X | X |
| 31   | 445539     | MOTOR ADJUSTING SCREW LOCK NUT WASHER             | X | X | X | X | X |
| 32   | 353402-451 | MOTOR ADJUSTING SCREW LOCK NUT                    | X | X | X | X | X |
| 33   | 988764-001 | LIGHT RECEPTACLE HARNESS (SURPRESSED)<br>COMPLETE | X | X | X | X | X |
| 34   | 353518-001 | MOTOR BELT  | X | X | X | X | X |
| 35   |            | REFER TO CHARTS ON FOLLOWING PAGES                |   |   |   |   |   |
| 36   |            | REFER TO CHARTS ON FOLLOWING PAGES                |   |   |   |   |   |

ELECTRICAL EQUIPMENT

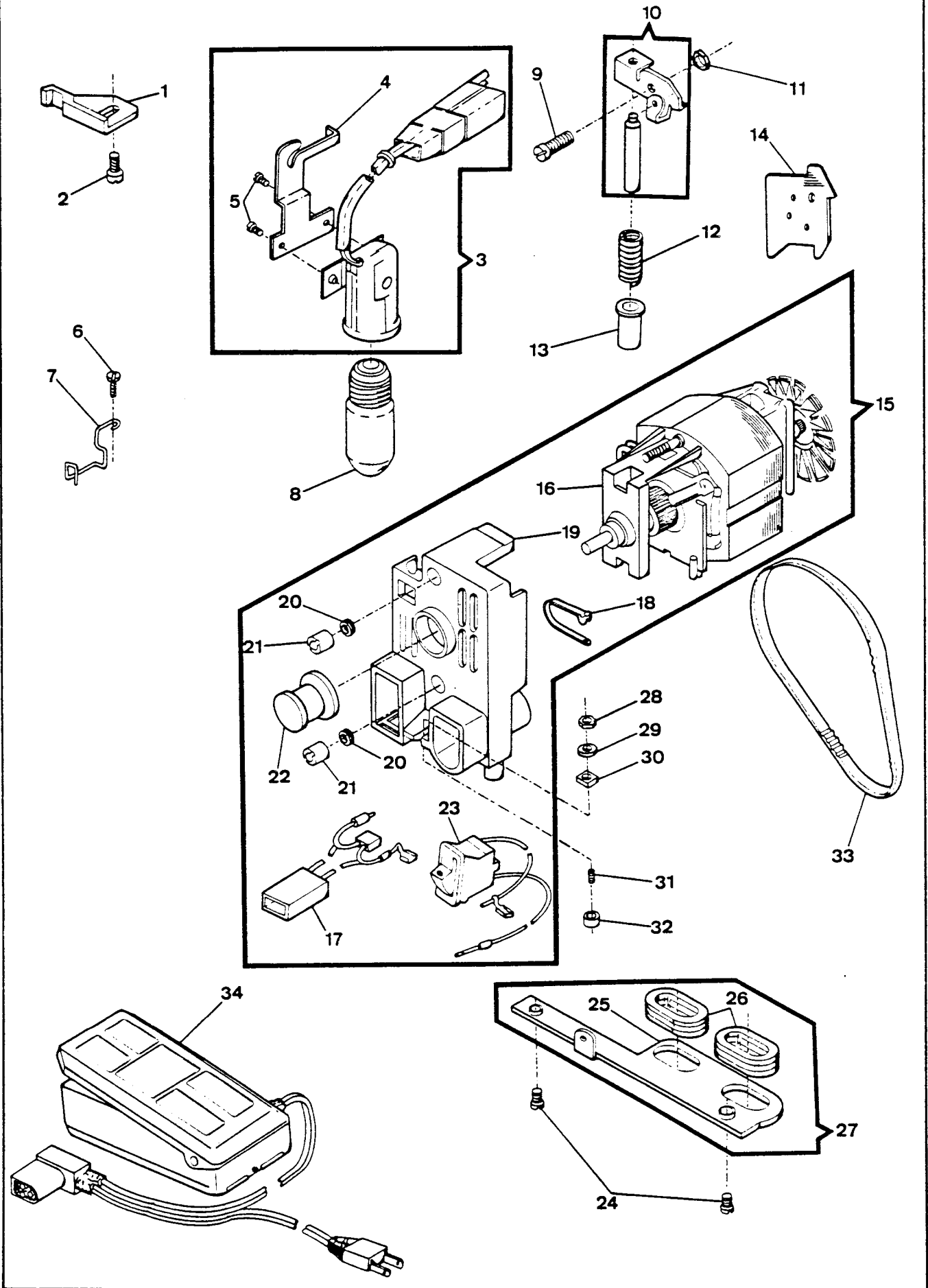
| REF. | 1 SPEED UNSURPRESSED<br>----- | U.S             | CANADA          | EUROPE          | GREAT<br>BRITAIN |
|------|-------------------------------|-----------------|-----------------|-----------------|------------------|
|      |                               | (120V)<br>----- | (120V)<br>----- | (220V)<br>----- | (240V)<br>-----  |
| 3    | LIGHT COMP.                   | NP0032-001      | NP0032-001      |                 |                  |
| 16   | LIGHT SOCKET (ALT.)           | 362001-003      | 362001-003      |                 |                  |
| 17   | MOTOR COMPLETE                | 988759-001      | 988759-001      |                 |                  |
| 18   | SERIES MOTOR MODULE           | 988752-001      | 988752-001      |                 |                  |
| 20   | COMMUTATOR END                | 988760-002      | 988760-002      |                 |                  |
| 35   | CONTROLLER                    | 988274-090      | 988274-090      |                 |                  |
| 35   | CONTROLLER (ALT.)             | 979314-031      | 979314-031      |                 |                  |
| 36   | SWITCH                        | 988763-001      | 988763-001      |                 |                  |
|      | 1 SPEED SURPRESSED<br>-----   |                 |                 |                 |                  |
| 3    | LIGHT COMP.                   |                 |                 | NP0032-002      | NP0032-002       |
| 16   | LIGHT SOCKER (ALT.)           |                 |                 | -----           | -----            |
| 17   | MOTOR COMPLETE                |                 |                 | 988759-002      | 988759-002       |
| 18   | SERIES MOTOR MODULE           |                 |                 | 988760-002      | 988760-002       |
| 20   | COMMUTATOR END                |                 |                 | 988274-051      | 988274-051       |
| 35   | CONTROLLER                    |                 |                 | 979314-026      | 979314-026       |
| 35   | CONTROLLER (ALT.)             |                 |                 | 988763-001      | 988763-001       |
| 36   | SWITCH                        |                 |                 |                 |                  |

ELECTRICAL EQUIPMENT

|      |                               | ASIA &<br>AFRICA &<br>SOUTH<br>AMERICA | ASIA &<br>AFRICA &<br>SOUTH<br>AMERICA | AFRICA &<br>SOUTH<br>AMERICA | AMEDO                         |
|------|-------------------------------|--|--|------------------------------|-------------------------------|
| REF. | 1 SPEED UNSURPRESSED<br>----- | FLAT BLADE<br>(120V)<br>-----          | FLAT BLADE<br>(220V)<br>-----          | ROUND PIN<br>(120V)<br>----- | ROUND PIN<br>(120V).<br>----- |
| 3    | LIGHT COMP.                   | NP0032-004                             | NP0032-004                             | NP0032-004                   | NP0032-004                    |
| 16   | LIGHT SOCKET (ALT.)           | 362001-003                             | 362001-003                             | 362001-003                   | 362001-003                    |
| 17   | MOTOR COMPLETE                | 988759-XXA                             | 988759-004                             | 988759-XXA                   | 988759-P03                    |
| 18   | SERIES MOTOR MODULE           | 988752-XXA                             | 988752-004                             | 988752-XXA                   | 988752-P03                    |
| 20   | COMMUTATOR END                | 988760-002                             | 988760-002                             | 988760-002                   | 988760-002                    |
| 35   | CONTROLLER                    | 988274-100                             | 988274-110                             | 988274-097                   | 988274-097                    |
| 35   | CONTROLLER (ALT.)             | 979314-023                             | 979314-024                             | 979314-021                   | 979314-001                    |
| 36   | SWITCH                        | 988763-001                             | 988763-001                             | 988763-001                   | 988763-001                    |
|      | 1 SPEED SURPRESSED<br>-----   |  |  |                              |                               |
| 3    | LIGHT COMP.                   |  |  |                              |                               |
| 16   | LIGHT SOCKER (ALT.)           |  |  |                              |                               |
| 17   | MOTOR COMPLETE                |  |  |                              |                               |
| 18   | SERIES MOTOR MODULE           |  |  |                              |                               |
| 20   | COMMUTATOR END                |  |  |                              |                               |
| 35   | CONTROLLER                    |  |  |                              |                               |
| 35   | CONTROLLER (ALT.)             |  |  |                              |                               |
| 36   | SWITCH - 2 SPEED              |  |  |                              |                               |

ELECTRICAL EQUIPMENT

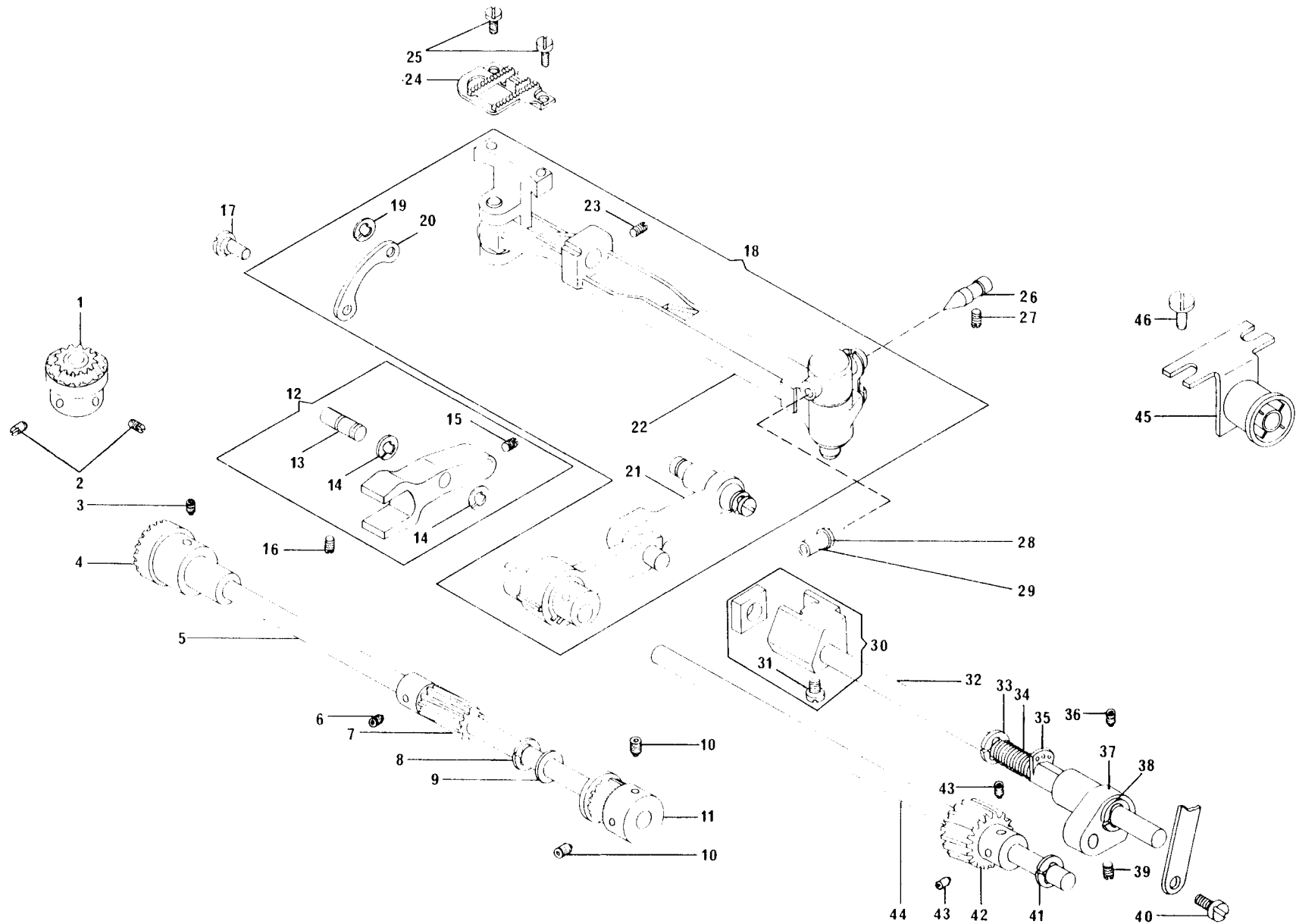
|      |                               | AFRICA &<br>SOUTH<br>AMERICA | SOUTH<br>AFRICA              | AMEDO                        | AUSTRALIA       |
|------|-------------------------------|------------------------------|------------------------------|------------------------------|-----------------|
| REF. | 1 SPEED UNSURPRESSED<br>----- | ROUND PIN<br>(220V)<br>----- | ROUND PIN<br>(220V)<br>----- | ROUND PIN<br>(220V)<br>----- | (240V)<br>----- |
| 3    | LIGHT COMP.                   | NP0032-004                   | NP0032-005                   | NP0032-004                   |                 |
| 16   | LIGHT SOCKET (ALT.)           | -----                        | -----                        | -----                        |                 |
| 17   | MOTOR COMPLETE                | 988759-004                   | 988759-P02                   | 988759-P04                   |                 |
| 18   | SERIES MOTOR MODULE           | 988752-004                   | 988752-P02                   | 988752-P04                   |                 |
| 20   | COMMUTATOR END                | 988760-002                   | 988760-002                   | 988760-002                   |                 |
| 35   | CONTROLLER                    | 988274-098                   | -----                        | -----                        |                 |
| 35   | CONTROLLER (ALT.)             | 979314-022                   | 979314-030                   | 979314-022                   |                 |
| 36   | SWITCH                        | 988763-001                   | 988763-001                   | 988763-001                   |                 |
|      | 1 SPEED SURPRESSED<br>-----   |                              |                              |                              |                 |
| 3    | LIGHT COMP.                   |                              |                              |                              | NP0032-003      |
| 16   | LIGHT SOCKER (ALT.)           |                              |                              |                              | -----           |
| 17   | MOTOR COMPLETE                |                              |                              |                              | 988759-P01      |
| 18   | SERIES MOTOR MODULE           |                              |                              |                              | 988752-P01      |
| 20   | COMMUTATOR END                |                              |                              |                              | 988760-002      |
| 35   | CONTROLLER                    |                              |                              |                              | 988274-057      |
| 35   | CONTROLLER (ALT.)             |                              |                              |                              | 979314-028      |
| 36   | SWITCH                        |                              |                              |                              | 988763-001      |





PART LIST  
ELECTRICAL EQUIPMENT 110V, SINGLE SPEED,  
SUPPRESSED (JAPAN ONLY)

| REF. | PART NBR   | DESCRIPTION                                       | 6 | 6 | 6 | 6 | 6 |
|------|------------|---|---|---|---|---|---|
|      |            |   | 2 | 2 | 2 | 2 | 2 |
|      |            |   | 1 | 1 | 1 | 1 | 1 |
|      |            |   | 1 | 2 | 4 | 5 | 7 |
| 01   | 353411     | LIGHT LEAD RETAINING CLIP                         | X | X | X | X | X |
| 02   | 113504-451 | LIGHT LEAD RETAINING CLIP MOUNTING SCREW          | X | X | X | X | X |
| 03   | 979148-001 | LIGHT COMPLETE                                    | X | X | X | X | X |
| 04   | 979146-001 | LIGHT SOCKET BRACKET                              | X | X | X | X | X |
| 05   | 141913-451 | LIGHT SOCKET BRACKET SCREW                        | X | X | X | X | X |
| 06   | 113455-001 | LIGHT LEAD WIRE RETAINER MOUNTING SCREW           | X | X | X | X | X |
| 07   | 353247     | LIGHT LEAD WIRE RETAINER                          | X | X | X | X | X |
| 08   | 549887-003 | LAMP  | X | X | X | X | X |
| 09   | 113372-451 | MOTOR GUIDE PIN MOUNTING BRACKET SCREW            | X | X | X | X | X |
| 10   | 446470     | MOTOR GUIDE PIN MOUNTING BRACKET ASSEMBLY         | X | X | X | X | X |
| 11   | 313470-452 | MOTOR GUIDE PIN MOUNTING BRACKET SCREW NUT        | X | X | X | X | X |
| 12   | 446473     | MOTOR BELT TENSION SPRING                         | X | X | X | X | X |
| 13   | 446475     | MOTOR GUIDE PIN BUSHING                           | X | X | X | X | X |
| 14   | 179901     | HEAT SHIELD (WITHOUT GRAPHICS)                    | X | X | X | X | X |
| 15   | 988759-002 | MOTOR COMPLETE                                    | X | X | X | X | X |
| 16   | 988752-005 | SERIES MOTOR MODULE                               | X | X | X | X | X |
| 17   | 988764-002 | LIGHT RECEPTACLE HARNESS (SUPPRESSED)<br>COMPLETE | X | X | X | X | X |
| 18   | 605600-P01 | TYE RAP   | X | X | X | X | X |
| 19   | 988760-002 | COMMUTATOR END COVER                              | X | X | X | X | X |
| 20   | 604018-003 | MOTOR MODULE WASHER                               | X | X | X | X | X |
| 21   | 603907-001 | MOTOR MODULE NUT                                  | X | X | X | X | X |
| 22   | 988761-001 | MOTOR PULLEY                                      | X | X | X | X | X |
| 23   | 988763-P02 | SWITCH WITH CONNECTOR & CONTACT LEADS             | X | X | X | X | X |
| 24   | 113370-451 | MOTOR MOUNTING PLATE SCREW                        | X | X | X | X | X |
| 25   | 446476     | MOTOR MOUNTING PLATE                              | X | X | X | X | X |
| 26   | 353355     | MOTOR MOUNTING PLATE GROMMET                      | X | X | X | X | X |
| 27   | 446479     | MOTOR MOUNTING PLATE ASSEMBLY                     | X | X | X | X | X |
| 28   | 353402-451 | MOTOR MOUNTING SCREW LOCK NUT                     | X | X | X | X | X |
| 29   | 445539     | MOTOR MOUNTING SCREW LOCK NUT WASHER              | X | X | X | X | X |
| 30   | 179887     | MOTOR BELT SCREW NUT                              | X | X | X | X | X |
| 31   | 113343-451 | MOTOR BELT SCREW                                  | X | X | X | X | X |
| 32   | 988887-001 | MOTOR BELT SCREW CAP                              | X | X | X | X | X |
| 33   | 353518-001 | MOTOR BELT  | X | X | X | X | X |
| 34   | 411837-001 | CONTROLLER  | X | X | X | X | X |



## LIST OF PARTS FOR 6500 SERIES MACHINES

## (FEED CONTROL SYSTEM)

21

| Ref. | Part No.   | Description  | 6548 | 6528 | 6544 | 6543 | 6533 | 6513 | 6522 |
|------|------------|--|------|------|------|------|------|------|------|
| 1    | 116876-451 | Feed Regulator Cam Follower End Cap Complete (Colour Spec. No. 3341) |      |      |      |      | X    | X    | X    |
| 2    | 116875-451 | Feed Regulator Cam Follower End Cap (Colour Spec. No. 3341)          |      |      |      |      | X    | X    | X    |
| 3    | 116179     | Feed Regulator Cam Follower End Cap Retainer                         |      |      |      |      | X    | X    | X    |
| 4    | 116859-451 | Feed Regulator Mechanism Complete (Colour Spec. No. 3220)            |      |      |      |      | X    | X    |      |
| 4    | 116860-451 | Feed Regulator Mechanism Complete (Colour Spec. No. 3220)            |      |      |      |      |      |      | X    |
| 5    | 116793-451 | Feed Regulator Control Dial Decal (Colour Spec. No. 3220)            |      |      |      |      | X    | X    | X    |
| 6    | 116857-451 | Feed Regulator Control Dial (Colour Spec. No. 3220)                  |      |      |      |      | X    | X    |      |
| 6    | 116858-451 | Feed Regulator Control Dial (Colour Spec. No. 3220)                  |      |      |      |      |      |      | X    |
| 7    | 114152-819 | Feed Regulator Mechanism Mounting Screw                              |      |      |      |      | X    | X    | X    |
| 8    | 98188      | Feed Regulator Mechanism Mounting Screw                              |      |      |      |      | X    | X    | X    |
| 8    | 116310-451 | Guard Plate (Front) Washer (K3 Varieties)                            |      |      |      |      | X    | X    | X    |
| 9    | 116126     | Feed Regulator Mechanism Mounting Plate                              |      |      |      |      | X    | X    | X    |
| 10   | 116119     | Feed Regulator Cam Follower Stop Screw                               |      |      |      |      | X    | X    | X    |
| 11   | 116125     | Feed Regulator Control Dial Thrust Washer                            |      |      |      |      | X    | X    | X    |
| 12   | 116123     | Feed Regulator Control Dial Pressure Washer                          |      |      |      |      | X    | X    | X    |
| 13   | 116124     | Feed Regulator Control Dial Retainer                                 |      |      |      |      | X    | X    | X    |
| 14   | 116136-453 | Feed Regulator Cam Follower Assembly (Colour Spec. No. 3341)         |      |      |      |      | X    | X    | X    |
| 15   | 116116-453 | Feed Regulator Cam Follower  |      |      |      |      | X    | X    | X    |
| 16   | 93779-451  | Feed Regulator Cam Follower Adjusting Screw Washer                   |      |      |      |      | X    | X    | X    |
| 17   | 155972     | Feed Regulator Cam Follower Adjusting Screw Spring                   |      |      |      |      | X    | X    | X    |
| 18   | 379503-451 | Feed Regulator Cam Follower Adjusting Screw                          |      |      |      |      | X    | X    | X    |
| 19   | 116118     | Feed Regulator Cam Follower Return Spring                            |      |      |      |      | X    | X    | X    |
| 20   | 116153     | Cam Controlled Feed Regulator Driving Bracket with Spring            |      |      |      |      | X    | X    |      |
| 20   | 116068     | Feed Regulator Driving Bracket with Spring                           |      |      |      |      |      |      | X    |
| 21   | 310717     | Cam Controlled Feed Regulator Driving Bracket                        |      |      |      |      | X    | X    |      |
| 21   | 103700     | Feed Regulator Driving Bracket                                       |      |      |      |      |      |      | X    |
| 22   | 153585     | Cam Controlled Feed Regulator Driving Bracket Return Spring          |      |      |      |      | X    | X    |      |
| 22   | 116067     | Feed Regulator Driving Bracket Return Spring                         |      |      |      |      |      |      | X    |
| 23   | 103380     | Feed Regulator Driving Bracket Retainer                              |      |      |      |      | X    | X    | X    |
| 24   | 379509-451 | Feed Regulator Driving Bracket Return Spring Screw                   |      |      |      |      |      |      | X    |
| 25   | 103873     | Guard Plate (K3 Varieties)   |      |      |      |      | X    | X    | X    |